

Thank you for purchasing a Sealey product. Manufactured to a high standard this product will, if used according to these instructions and properly maintained, give you years of trouble free performance.



**IMPORTANT: PLEASE READ THESE INSTRUCTIONS CAREFULLY. NOTE THE SAFE OPERATIONAL REQUIREMENTS, WARNINGS & CAUTIONS. USE THE PRODUCT CORRECTLY AND WITH CARE FOR THE PURPOSE FOR WHICH IT IS INTENDED. FAILURE TO DO SO MAY CAUSE DAMAGE AND/OR PERSONAL INJURY AND WILL INVALIDATE THE WARRANTY. PLEASE KEEP INSTRUCTIONS SAFE FOR FUTURE USE.**

## 1. SAFETY INSTRUCTIONS

### 1.1 GENERAL SAFETY

- WARNING!** Ensure Health & Safety, local authority, and general workshop practice regulations are adhered to when using this calibration rig.
- ✓ Maintain the calibration rig in good condition (use an authorised service agent).
- ✓ Replace or repair damaged parts. *Use genuine parts only. Non-authorised parts may be dangerous and will invalidate the warranty.*
- ✓ Locate calibration rig in a suitable working area, keep area clean and tidy and free from unrelated materials.
- WARNING!** Use calibration rig on level and solid ground.
- ✓ Keep the calibration rig clean to ensure accurate performance.
- x **DO NOT** use calibration rig outside in damp or wet weather conditions.
- x **DO NOT** allow untrained persons to operate the calibration rig.
- x **DO NOT** leave the calibration rig unattended.

## 2. INTRODUCTION

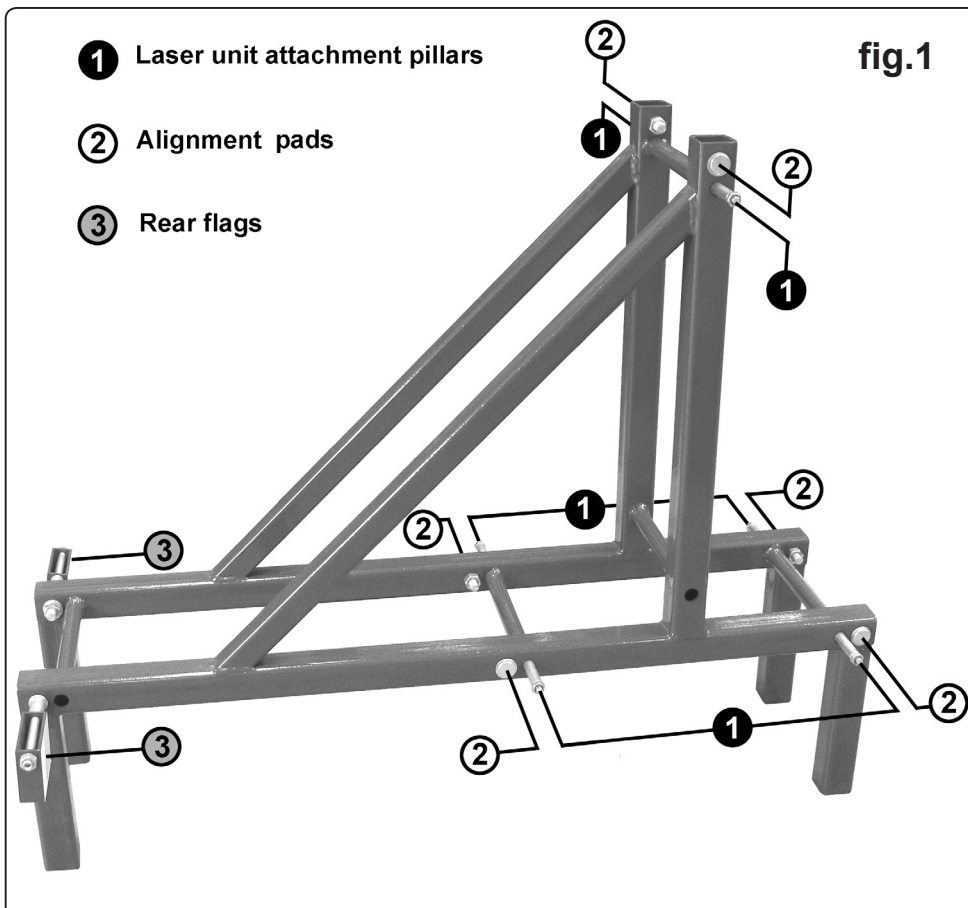
Used to check and adjust the alignment of the lasers on the GA70 Four-Wheel Laser Aligner. This unit will allow workshops to check and adjust in-house. Laser heads secure to the rig and rest on the bobbins that contact the vehicle's wheel rim. Supplied with comprehensive instructions.

### 1.2 LASER SAFETY

The GA70CR Calibration rig is used in conjunction with units from the GA70 which utilise a Class II laser that emits low levels of visible radiation (i.e. wavelengths between 400 and 700 nanometres which are safe for the skin but not inherently safe for the eyes. The Class II emission limit is set at the maximum level for which eye protection is normally afforded by natural aversion responses to bright light. Accidental eye exposure is therefore normally safe, although the natural aversion response can be overridden by deliberately staring into the beam, and can also be influenced by the use of alcohol or drugs.



- WARNING!** Do not look or stare into the laser beam as permanent eye damage could result.
- x **DO NOT** direct the laser beam at any person's (or animal's) eyes as eye damage could result. If the beam is obstructed by a person during use, release the contact switch immediately.
- x **DO NOT** use the equipment while under the influence of alcohol, drugs or whilst on medication.
- ✓ Be aware that reflections of the laser beam from mirrors or other shiny surfaces can be as hazardous as direct eye exposure.



### 3. RIG OPERATION

#### 4.1 GA70 Calibration Check

- 4.1.1 Visually inspect the laser units to make sure they are not damaged or bent. A damaged Laser Head may not calibrate correctly.
- 4.1.2 Remove the 6 nuts from the threaded ends of the 6 mounting pillars (1 at the top and two at the bottom on each side) See fig.1-1.
- 4.1.3 Adjust the height of each laser unit to match the mounting pillars using the black knob on each unit. See fig.2-B. Move the three wheel rim locators to the outside end of their respective slots.
- 4.1.4 Fit the two laser alignment units onto the pillars and secure them hand tight using the nuts previously removed. See fig.2.
- 4.1.5 On each side of the rig adjust the position of the three wheel rim locators onto the rig alignment pads (see fig.2 INSET 'A')
- 4.1.6 Make any necessary fine adjustments then turn on the Lasers. Manoeuvre one of the laser Heads backwards/forwards so the Lasers read as near to Zero as possible.
- 4.1.7 Tighten the 6 holding nuts.
- 4.1.8 Front Lasers should read Zero using the correct calculation. Observe where the laser line falls on each toe scale. Either both lasers will be pointing to Zero which is correct, or one laser will read in the RED and one laser will read in the GREEN. In this case subtract one from the other and the reading should be Zero. For example, 1 RED minus 1 Green equals ZERO (calibration is correct). If the reading is not Zero, calibration is required.

- 4.1.9 Rear lasers should align with the calibration line on the rear flags.
- 4.1.10 If front or rear Lasers are not aligned the units need to be recalibrated.

#### 4.2 Calibration

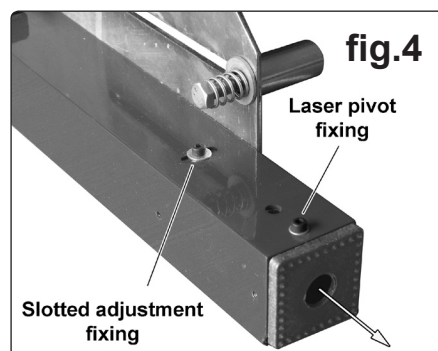
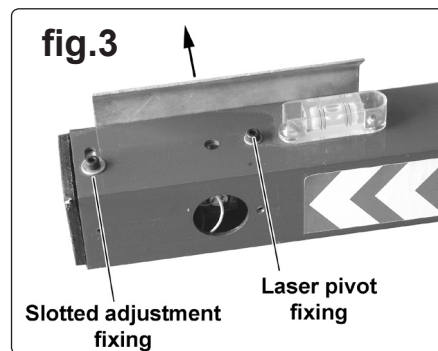
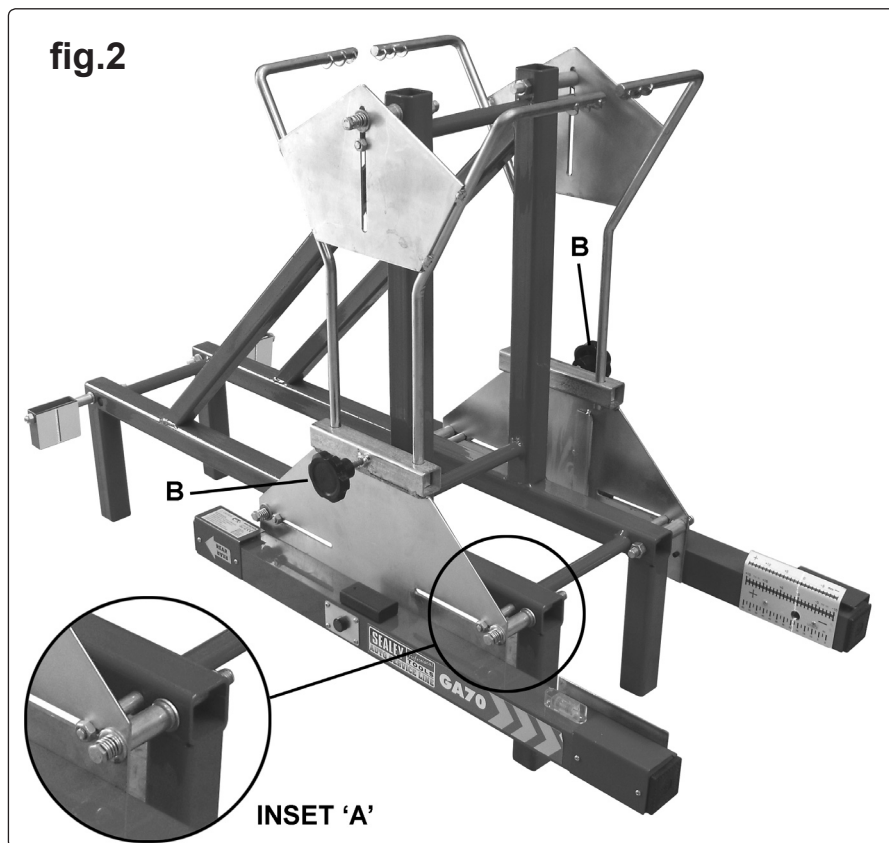
- 4.2.1 Remove the protective laser calibration guard on the laser that needs to be adjusted.
- 4.2.2 Slacken the two allen nuts on the laser that needs adjusting. See figs. 3 & 4.
- 4.2.3 Turn on the laser.
- 4.2.4 Adjust laser to the correct position by moving the slotted fixing up or down the slot as required. When the laser light strikes the zero toe mark or the calibration line on the rear flags tighten the two allen nuts and replace the protective covers
- 4.2.5 Check ALL lasers are aligned correctly.

#### 4.3 GA70CR – Calibration Rig yearly/periodic inspection

- 4.3.1 Measure/check the distance between the two front and two rear calibration contact points to make sure the measurement are the same.
- 4.3.2 Rear Flags - Measure distance from the frame and the vertical calibration lines. Both measurement must be the same.

#### 4.4 GA70CAL

- 4.3.1 We also offer a calibration service at SEALEY where we will check/calibrate the customers GA70 unit.



Parts support is available for this product. To obtain a parts listing and/or diagram, please log on to [www.sealey.co.uk](http://www.sealey.co.uk), email [sales@sealey.co.uk](mailto:sales@sealey.co.uk) or phone 01284 757500.

**NOTE:** It is our policy to continually improve products and as such we reserve the right to alter data, specifications and component parts without prior notice.

**IMPORTANT:** No liability is accepted for incorrect use of this product.

**WARRANTY:** Guarantee is 12 months from purchase date, proof of which will be required for any claim.

**INFORMATION:** For a copy of our latest catalogue and promotions call us on 01284 757525 and leave your full name and address, including postcode.



Sole UK Distributor, Sealey Group,  
Kempson Way, Suffolk Business  
Park, Bury St. Edmunds, Suffolk,  
IP32 7AR

01284 757500  
01284 703534

[www.sealey.co.uk](http://www.sealey.co.uk)  
[sales@sealey.co.uk](mailto:sales@sealey.co.uk)