



INSTRUCTIONS FOR
FLOODLIGHT WITH WALL BRACKET
10W / 20W / 50W / 70W SMD LED
 MODEL NO: LED080 / LED081 / LED082 / LED083

Thank you for purchasing a Sealey product. Manufactured to a high standard, this product will, if used according to these instructions, and properly maintained, give you years of trouble free performance.

IMPORTANT: PLEASE READ THESE INSTRUCTIONS CAREFULLY. NOTE THE SAFE OPERATIONAL REQUIREMENTS, WARNINGS & CAUTIONS. USE THE PRODUCT CORRECTLY AND WITH CARE FOR THE PURPOSE FOR WHICH IT IS INTENDED. FAILURE TO DO SO MAY CAUSE DAMAGE AND/OR PERSONAL INJURY AND WILL INVALIDATE THE WARRANTY. KEEP THESE INSTRUCTIONS SAFE FOR FUTURE USE.



Refer to
Instructions



Electrical
Shock
Hazard

1. SAFETY

1.1. Electrical

- WARNING!** It is the user's responsibility to read, understand and comply with the following:
 - WARNING!** THIS PRODUCT MUST BE INSTALLED BY A QUALIFIED ELECTRICIAN.
 - ✓ You must check all electrical equipment and appliances to ensure they are safe before using. You must inspect power supply leads and all electrical connections for wear and damage.
 - ✓ You must ensure the risk of electric shock is minimised by the installation of appropriate safety devices. An RCCB (Residual Current Circuit Breaker) should be incorporated in the main distribution board.
 - ✓ You must also read and understand the following instructions concerning electrical safety.
 - ✓ Ensure the light is connected to an appropriate electrical on/off switch.
 - ✓ Ensure the insulation on all cables and the product itself is safe before connecting to the mains power supply.
 - ✓ Ensure that cables are always protected against short circuit and overload.
 - ✓ Regularly inspect power supply, leads and all electrical connections for wear and damage, especially power connections, to ensure that none are loose.
 - ✓ Ensure the voltage marked on the product is the same as the electrical power supply to be used.
 - ✗ **DO NOT** pull power cable once installed.
 - ✗ **DO NOT** use worn or damaged leads, or connections. Immediately replace or have repaired by a qualified Electrician.
 - ✓ Ensure the unit is correctly earthed and wired according to the following. (installation should be undertaken by a qualified electrician)
 - a) Connect the GREEN/YELLOW earth wire to the earth terminal 'E'.
 - b) Connect the BROWN live wire to live terminal 'L'.
 - c) Connect the BLUE neutral wire to the neutral terminal 'N'.
- After wiring, check there are no bare wires, that all wires have been correctly connected and that the wire restraint is tight.

1.2. General Safety

- WARNING!** Turn off the mains power supply before servicing or performing any maintenance.
- ✓ Maintain the light in good condition (Repairs must only be undertaken by a qualified electrician).
- ✓ Replace or repair damaged parts. Use genuine parts only, non authorised parts may be dangerous and will invalidate the warranty.
- ✓ Ensure the light is installed correctly in accordance with these instructions.
- ✓ Only install the light on a vertical surface.
- ✗ **DO NOT** fix the light on any horizontal surface i.e. ceiling, or overhang.
- ✓ Ideally the installation should be away from flammable or combustible materials such as wood, cloth, paper etc.
- ▲ **DANGER! DO NOT** direct the light into a persons eyes. This unit has a very intensive light output, which if incorrectly used could cause eye damage.
- ✗ **DO NOT** install the light where it is likely to be knocked or hit.
- ✗ **DO NOT** install in bathrooms, shower rooms, sauna or such locations.
- ✗ **DO NOT** install near an exhaust outlet. i.e. Boiler flue, dryer outlet, etc.
- ✗ **DO NOT** use the light without the front glass shield fitted.

2. INTRODUCTION

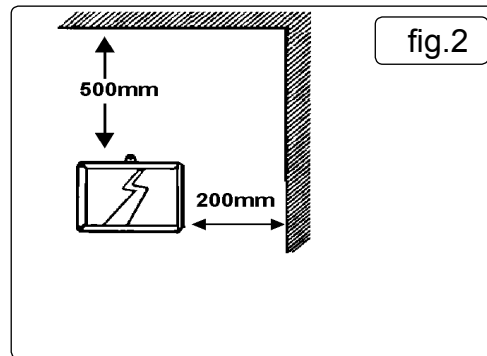
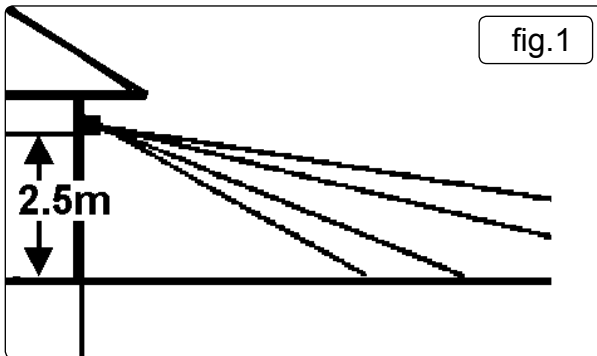
Mounted in a die-cast powder coated aluminium extra slim housing with wall bracket. SMD LED technology allows ultra bright illumination whilst keeping costs lower than traditional halogen tubes. Even spread of light across a 110° angle. Suitable for outdoor mounting.

3. SPECIFICATION

Model No:.....LED080.....LED081.....LED082.....LED083
 Power:.....10W.....20W.....50W.....70W
 Lumen Output:.....800ml.....1600ml.....3800ml.....5600ml
 Supply:.....230V-50Hz.....230V-50Hz.....230V-50Hz.....230V-50Hz
 Colour Temperature:.....6000K.....6000K.....6000K.....6000K
 IP Rating:.....IP54.....IP54.....IP54.....IP54
 PIR Sensor:.....No.....No.....No.....No

4. ASSEMBLY

- **WARNING! DO NOT** connect unit to the mains power supply before installation.
- 4.1. Installation
- 4.1.1. Give careful consideration to the position of unit to ensure you obtain maximum benefit from the lighting range, and that an appropriate electrical power source can be provided.
- 4.1.2. An approximate appropriate mounting height from the ground is 2.5m. See fig.1.
- 4.1.3. This SMD LED floodlight develops minimal heat and is not subject to the same mounting restrictions that apply to halogen lamps that become too hot to touch. We do however recommend that the floodlight should not be placed in cramped or restrictive positions and should be fixed at the following minimum distances between the light and any surface/object. See fig.2.
- 500mm minimum between the top of the light and any overhead surface, or objects, i.e. ceilings, overhangs.
 - 200mm between sides of light and wall/surfaces
 - 2 metres minimum between the front of the light and any object to be illuminated.
- Fix the light to a vertical surface with appropriate fixings.
Ensure the lamp is connected to the mains by a qualified electrician.



5. MAINTENANCE

- 5.1. Clean the casing externally (**not the glass**) with a moist cloth.
- × **DO NOT** use solvents or abrasives to clean the light.
- 5.2. Avoid touching the glass shield as handling may reduce its serviceable life and cause the glass to crack. If necessary clean the glass shield with alcohol and a soft cloth. Undo the single screw without removing it to clean internally.
- × **DO NOT** use the light without the glass shield.
 - × **DO NOT** use the light without the weather seals intact.

Parts support is available for this product. To obtain a parts listing and/or diagram, please log on to www.sealey.co.uk, email sales@sealey.co.uk or telephone 01284 757500.



Environmental Protection

Recycle unwanted materials instead of disposing of them as waste. All tools, accessories and packaging should be sorted, taken to a recycling centre and disposed of in a manner which is compatible with the environment. When the product becomes completely unserviceable and requires disposal, drain off any fluids (if applicable) into approved containers and dispose of the product and the fluids according to local regulations.



WEEE Regulations

Dispose of this product at the end of its working life in compliance with the EU Directive on Waste Electrical and Electronic Equipment (WEEE). When the product is no longer required, it must be disposed of in an environmentally protective way. Contact your local solid waste authority for recycling information.

NOTE: It is our policy to continually improve products and as such we reserve the right to alter data, specifications and component parts without prior notice.

IMPORTANT: No liability is accepted for incorrect use of this product.

WARRANTY: Guarantee is 12 months from purchase date, proof of which will be required for any claim.



Sole UK Distributor, Sealey Group.
Kempson Way, Suffolk Business Park,
Bury St. Edmunds, Suffolk.
IP32 7AR



01284 757500



01284 703534



www.sealey.co.uk



sales@sealey.co.uk