



INSTRUCTIONS FOR

MOTORCYCLE DOLLY REAR WHEEL- LONG SIDE STAND TYPE.

MODEL NO: **MS064**

Thank you for purchasing a Sealey product. Manufactured to a high standard, this product will, if used according to these instructions, and properly maintained, give you years of trouble free performance.

IMPORTANT: PLEASE READ THESE INSTRUCTIONS CAREFULLY. NOTE THE SAFE OPERATIONAL REQUIREMENTS, WARNINGS & CAUTIONS. USE THE PRODUCT CORRECTLY AND WITH CARE FOR THE PURPOSE FOR WHICH IT IS INTENDED. FAILURE TO DO SO MAY CAUSE DAMAGE AND/OR PERSONAL INJURY AND WILL INVALIDATE THE WARRANTY. KEEP THESE INSTRUCTIONS SAFE FOR FUTURE USE.



Refer to
Instruction
Manual

1. SAFETY

- 1.1. Maintain the dolly in good condition (use an authorised service agent).
- 1.2. Replace or repair damaged parts. *Use genuine parts only. Unauthorised parts may be dangerous and will invalidate the warranty.*
- 1.3. Locate the dolly in a suitable work area. Keep area clean and tidy and free from unrelated materials, and ensure that there is adequate lighting.
- 1.4. Ensure that the floor is level and strong enough (preferably concrete) to take the weight of the dolly and the motorcycle.
 - * **DO NOT** use the dolly on tarmacadam, as the surface may be unstable.
- 1.5. Keep the dolly clean for best and safest performance.
- 1.6. The maximum motorcycle weight is 300kg. **DO NOT** exceed this rated capacity.
- 1.7. Use appropriate straps to secure the motorcycle to the dolly when manoeuvring.
- 1.8. Pull rather than push the motorcycle when manoeuvring on the dolly to reduce the risk of pushing the motorcycle off its side stand.
- 1.9. Maintain correct balance and footing, **DO NOT** over reach. Ensure the floor is not slippery and wear non-slip shoes. Keep children and unauthorised persons away from the work area.
 - * **DO NOT** use the dolly for a task it is not designed to perform.
 - * **DO NOT** use the dolly if it is damaged.
 - * **DO NOT** use the dolly when you are tired or under the influence of alcohol, drugs or intoxicating medication.
 - * **DO NOT** allow untrained persons to use the dolly.
 - * **DO NOT** make any modifications to the dolly.
- 1.10. Before storing in safe area, ensure that all parts are clean and free of grease and oil.

WARNING: The warnings, cautions and instructions in this manual cannot cover all possible conditions and situations that may occur. It must be understood that common sense and caution are factors which cannot be built into this product, but must be applied by the operator.

2. INTRODUCTION

Motorcycle dolly holds a single motorcycle or sports bike with side stand, weighing up to 300Kg. Enabling easy manoeuvrability around the workshop or garage. The front wheel stays in contact with the ground allowing the motorcycle to be steered into the desired position. Pivoting design allows flexibility in side stand designs.

3. SPECIFICATION

Model No.....**MS064**
 Max. Capacity300Kg
 Overall Dimensions (LxW).....1260x555mm
 Rear Wheel Loading Tray Dimensions400x250mm

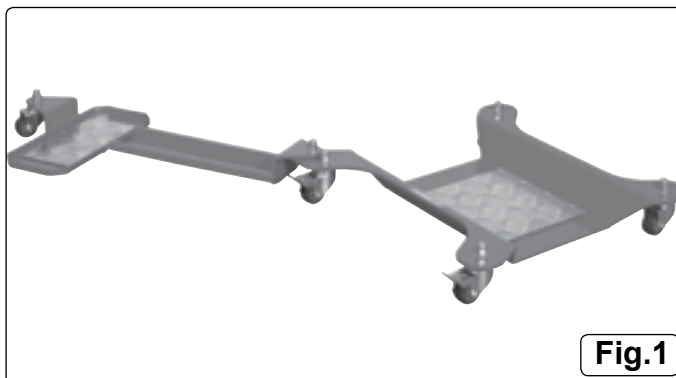


Fig.1

4. ASSEMBLY

Part No..	Description	QTY.
1.	Main Part	1.
2.	Aluminium Plate	1.
3.	Nut with Cap	6.
4.	Spring Washers	6.
5.	Flat Washer	6.
6.	Wheels With Brake	2.
7.	M12 Set Screw	1.
8.	Supporting Arm	1.
9.	Aluminium Plate	1.
10.	Wheels Without Brake	3.

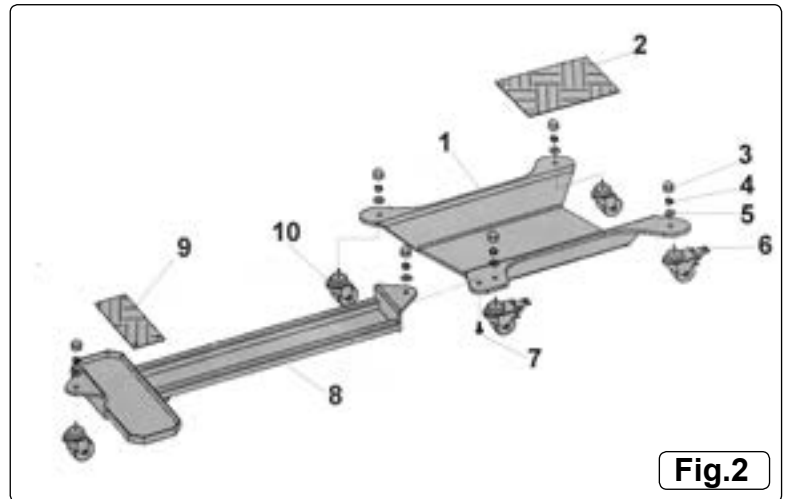


Fig.2

- 4.1. Remove with care all contents from outer packaging and check parts against parts list. Ref. to fig.2
- 4.2. Place main part (1) on ground attach 2 Wheels with brakes (6) using Flat Washers(5), Spring Washers(4) and nuts with cap(3).
- 4.3. Attach 2 Wheels(10) using Flat Washers(5), Spring Washers(4) and nuts with cap(3).
- 4.4. Place Supporting Arm(8) on ground attach Wheel(10) using Flat Washer(5), Spring Washer(4) and nut with cap(3).
- 4.5. Using M12 Set Screw, bolt Main Part(1) and Support Arm(8) together. The support arm can move in relationship to main part and can be adjusted to position/design of side stand before bolt being tightened fully.

5. OPERATION

- ❑ **WARNING! Ensure that you read, understand and apply the safety instructions before use.**
 - ❑ **WARNING! DO NOT attempt to overload the dolly.**
- 5.1. **Loading.**
 - 5.1.1. Position the dolly in a suitable area, checking that the surface on which the dolly will be used is solid and flat.
 - 5.1.2. Apply the brakes to the two wheels
 - 5.1.3. Push the motorcycle on to the dolly positioning the rear wheel centrally on the main part and support with the side stand on the support arm adjust as required and fix in position by tightening set screw. Front wheel remains on ground.
 - 5.1.4. Release the brakes to allow the dolly to be manoeuvred.
 - 5.2. **Unloading**
 - 5.2.1. Apply the brakes to the two wheels.
 - 5.2.2. Holding handle bars lift side stand and remove the motorcycle from the dolly.
 - 5.2.3. Store the dolly in a safe, dry, childproof location with the brakes on.



Note: Image Shows MS063A

6. MAINTENANCE

- 6.1. Before use, check the frame assembly and platform for cracks and damage.
- 6.2. Regularly check that all fasteners are tight.
- 6.3. Periodically lubricate the castors



Environmental Protection

Recycle unwanted materials instead of disposing of them as waste. All tools, accessories and packaging should be sorted, taken to a recycling centre and disposed of in a manner which is compatible with the environment.

Parts support is available for this product. To obtain a parts listing and/or diagram, please log on to www.sealey.co.uk, email sales@sealey.co.uk or telephone 01284 757500.

NOTE: It is our policy to continually improve products and as such we reserve the right to alter data, specifications and component parts without prior notice.

IMPORTANT: No liability is accepted for incorrect use of this product.

WARRANTY: Guarantee is 12 months from purchase date, proof of which will be required for any claim.



Sole UK Distributor, Sealey Group.
Kempson Way, Suffolk Business Park,
Bury St. Edmunds, Suffolk.
IP32 7AR



01284 757500



01284 703534



www.sealey.co.uk



sales@sealey.co.uk