



Vacuum Cleaner Industrial Wet & Dry 77ltr Stainless 2400W Swivel Drum

MODEL NO: **PC477, PC477AK1**

Thank you for purchasing a Sealey product. Manufactured to a high standard, this product will, if used according to these instructions, and properly maintained, give you years of trouble free performance.

IMPORTANT: PLEASE READ THESE INSTRUCTIONS CAREFULLY. NOTE THE SAFE OPERATIONAL REQUIREMENTS, WARNINGS & CAUTIONS. USE THE PRODUCT CORRECTLY AND WITH CARE FOR THE PURPOSE FOR WHICH IT IS INTENDED. FAILURE TO DO SO MAY CAUSE DAMAGE AND/OR PERSONAL INJURY AND WILL INVALIDATE THE WARRANTY. KEEP THESE INSTRUCTIONS SAFE FOR FUTURE USE.



Refer to
instructions

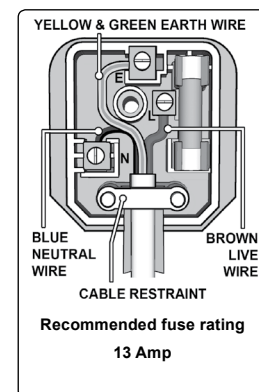


Wear eye
protection

1. SAFETY

1.1. ELECTRICAL SAFETY

- ❑ **WARNING!** It is the responsibility of the owner and the operator to read, understand and comply with the following:
You must check all electrical products, before use, to ensure that they are safe. You must inspect power cables, plugs, sockets and any other connectors for wear or damage. You must ensure that the risk of electric shock is minimised by the installation of appropriate safety devices. A Residual Current Circuit Breaker (RCCB) should be incorporated in the main distribution board. You must also read and understand the following instructions concerning electrical safety.
- ✓ Ensure that cables are always protected against short circuit and overload.
- ✓ Regularly inspect power supply cables and plugs for wear or damage and check all connections to ensure that none are loose.
- ✓ Ensure that the voltage marked on the appliance matches the power supply to be used and that the plug is fitted with the correct fuse - see fuse rating at right.
- ✗ **DO NOT** use worn or damaged cables, plugs or connectors. Have any faulty item repaired or replaced immediately by a competent electrician.
- ✓ It is recommended that this heater is wired directly to a fused isolator switch. If, however, a plug is fitted, the following applies:
- ✓ Fit a new plug according to the following instructions (UK only).
 - a) Connect the GREEN/YELLOW earth wire to the earth terminal 'E'.
 - b) Connect the BROWN live wire to the live terminal 'L'.
 - c) Connect the BLUE neutral wire to the neutral terminal 'N'.
 - d) After wiring, check that there are no bare wires, that all wires have been correctly connected, that the cable restraint is tight.



1.2. GENERAL SAFETY

- ✓ Disconnect the cleaner from the power supply before servicing, changing accessories, or performing any maintenance.
- ✓ Use only genuine parts and accessories. *Unauthorised parts and accessories may be dangerous and will invalidate your warranty.*
- ✓ Maintain the cleaner in good condition. *Use an authorised agent for servicing. Keep machine clean, but DO NOT use solvents.*
- ✗ **DO NOT** operate the unit without a filter in place as this will cause machine faults and will invalidate your warranty.
- ✓ Use only the paper cartridge filter specified for dry vacuuming.
- ✓ Use only the cloth filter specified for wet vacuuming.
- ✓ Wear protective clothing and gloves.
- ✗ **DO NOT** allow children or untrained persons to operate the cleaner.
- ✗ **DO NOT** place attachments close to your face (especially eyes, ears).
- ✗ **DO NOT** point the hose end at other persons or animals.
- ▲ **DANGER! DO NOT** vacuum very fine powders, hot or glowing ash, inflammable, explosive, corrosive or other dangerous substances.
- ✗ **DO NOT** leave the machine running unattended, turn power supply OFF.
- ✗ **DO NOT** leave the vicinity until motor has come to a complete stop.
- ✗ **DO NOT** operate the cleaner when you are tired or under the influence of alcohol, drugs or intoxicating medication.
- ✗ **DO NOT** use the cleaner in the rain or in very damp conditions.
- ✗ **DO NOT** use the cleaner for a task it is not designed to perform.
- ✗ **DO NOT** tilt or drop the cleaner.
- ✗ **DO NOT** place the cleaner close to a heat source.
- ✓ When not in use, store the cleaner in a safe, dry, childproof location.

2. INTRODUCTION

High powered, lightweight industrial unit. Stainless steel drum with dual filtration system for superior performance. Features safety shut-off for wet operation. Trolley with swivel drum and two rear locking wheels for easy emptying plus front swivel castors for added manoeuvrability. Foot operation for squeegee adjustment. Supplied with Ø38mm accessory kit, 3.2m cable with three-pin plug, cloth and cartridge filters. Fitted with twin motors offering superior vacuuming power. Particularly suitable for industrial and commercial applications where extra capacity and power are required. Optional front mounting squeegee available, as illustrated in fig.8.

3. SPECIFICATION

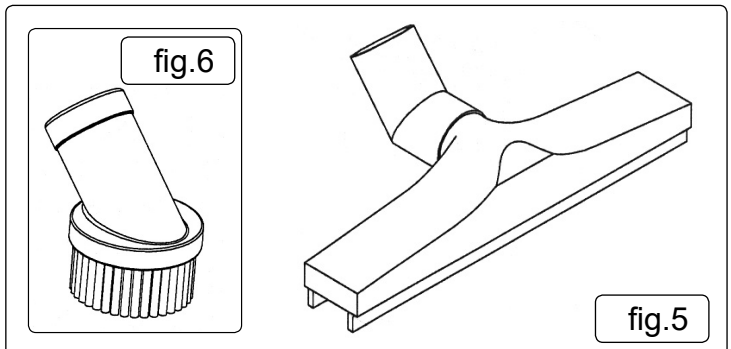
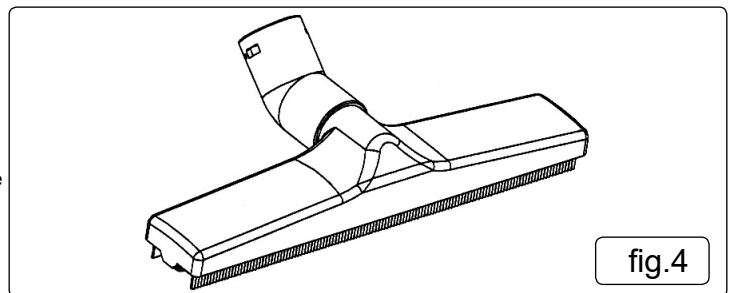
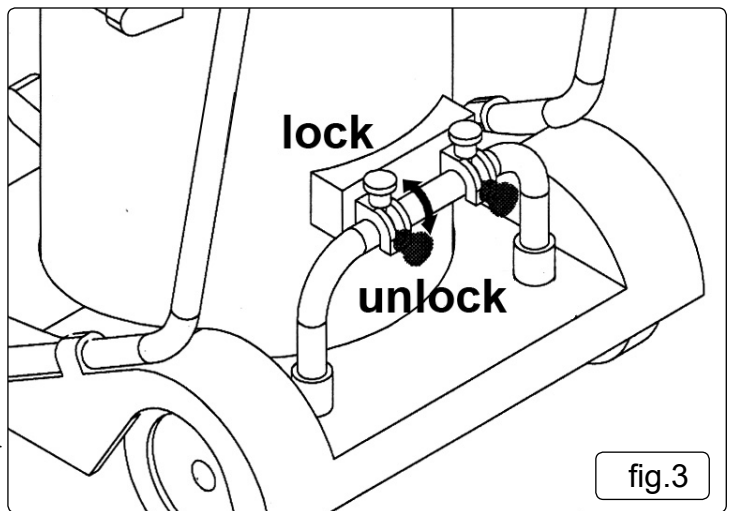
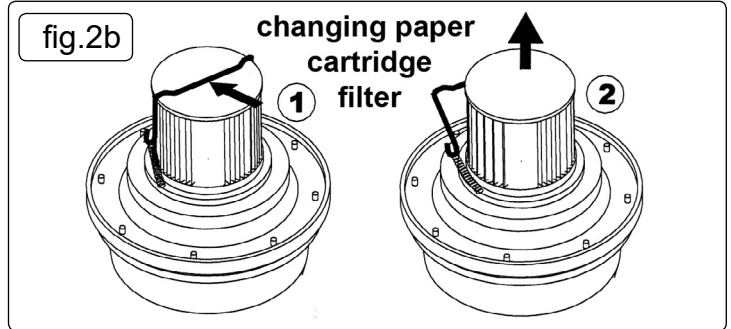
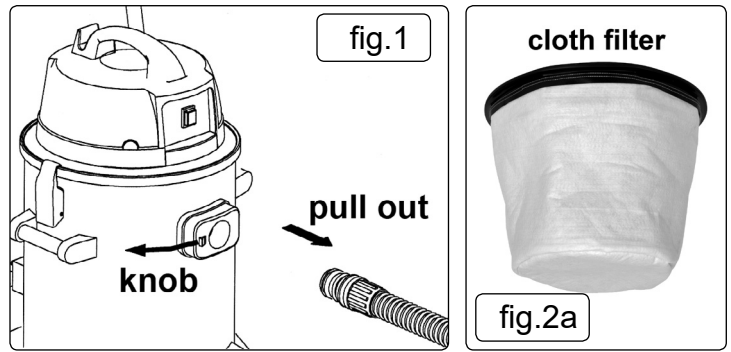
Model No:.....	PC477
Airflow:.....	174m ³ /hr
Drum Size:.....	77ltr
Filter Type:.....	Cartridge, Cloth
Maximum Vacuum Pressure:.....	null
Motor Power:.....	2 x 1200W
Nett Weight:.....	39kg
Cartridge Filter.....	PC477.PF
Cloth Filter Assembly.....	PC477.CF
Supply:.....	230V
Vacuum Accessories Diameter:.....	Ø38mm
Optional Squeegee:.....	PC477AK1
Nett Weight:.....	6.32Kg

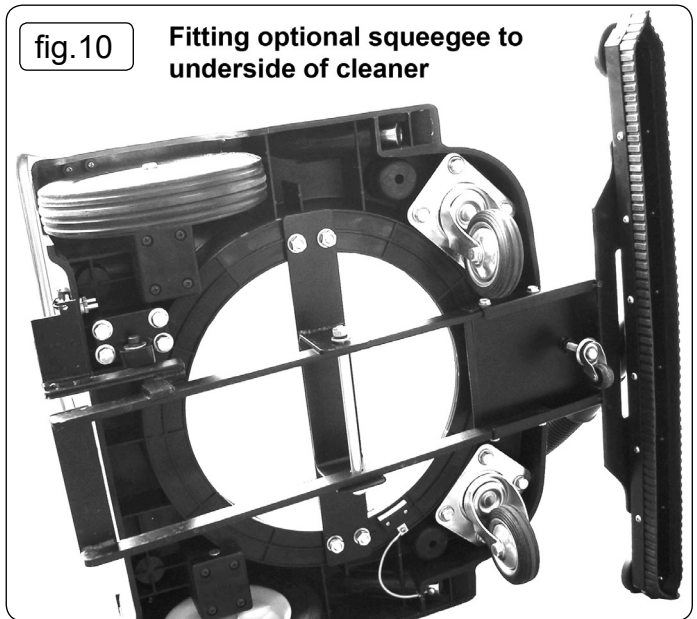
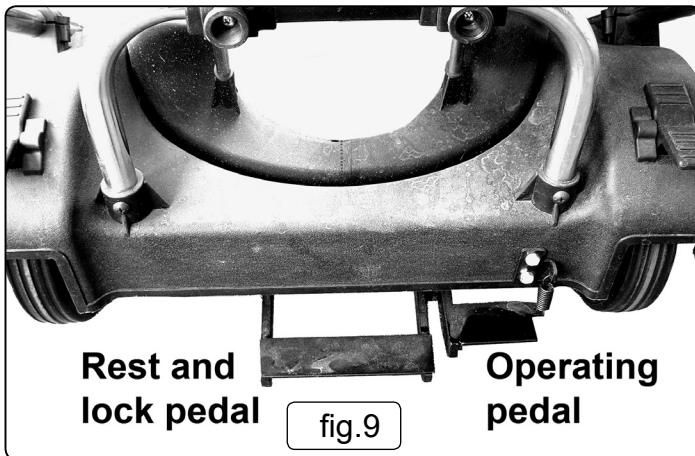
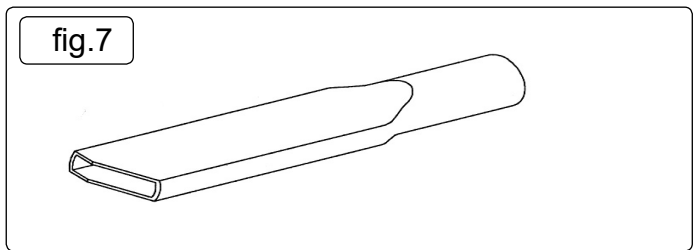
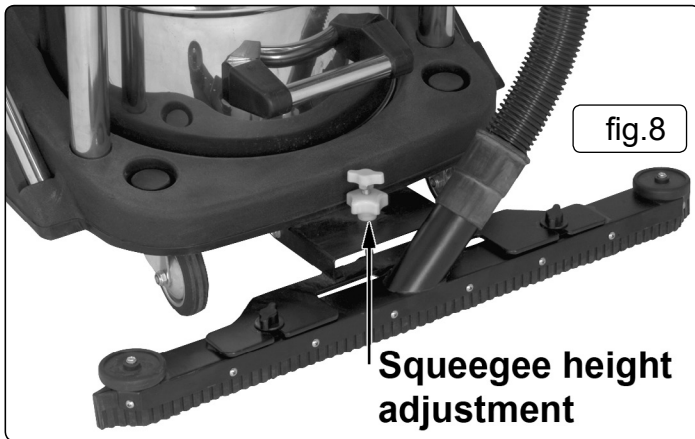
4. ASSEMBLY

- 4.1. Hose Installation. Fig. 1.**
- 4.1.1. Fully insert the hose into the suction coupler on the main drum. It will automatically snap into place.
- 4.1.2. To release the hose, slide the release knob in the direction of the arrow and pull the hose out of the suction coupler.
- 4.2. Filter Removal. Fig. 2a/2b**
- 4.2.1. To access the filter, unclip and remove the upper part of the cleaner from the metal tank.
- 4.2.2. To change the paper cartridge filter push the retaining clip from the motor unit.
- 4.2.3. For wet vacuuming remove the paper cartridge filter and basket (fig.2a) sits in the top of the drum and is held in onto the tank.
- 4.3. Locking and Unlocking the Tank. Fig. 4.**
- 4.3.1. Lock the tank to the frame support by pushing the knobs
- 4.3.2. Unlock the tank from the frame support by pushing the knobs UP.
- 4.3.3. When the tank is unlocked it can be lifted from the frame.
- 4.3.4. The tank must only be tipped for emptying in the locked position. See fig.13.

5. OPERATION

- 5.1. Nozzles**
- 5.1.1. The brush nozzle is used on large, dry areas such as a floor or a bed. Refer to Fig. 4.
- 5.1.2. The squeegee nozzle is used on water, cement or other non-volatile substances. Refer to Fig. 5.
- 5.1.3. The round brush is used on small areas such as a sofa, window or the corner of a floor. Refer to Fig. 6.
- 5.1.4. The crevice tool is used on narrow grooves or windows. Refer to Fig. 7.
- 5.2. Optional Squeegee. Figs. 8, 9 and 10.**
- 5.2.1. The optional squeegee should be attached to the underside of the vacuum cleaner as shown in Fig. 10.
- 5.2.2. Depress the operating pedal. The squeegee will drop on to the surface to be cleaned. Refer to Fig. 9.
- 5.2.3. If necessary, adjust the height of the squeegee using the butterfly nut at the front of the cleaner. This sets the height of the front guide wheel. Refer to Fig. 8.
- 5.2.4. With the squeegee in contact with the surface to be cleaned, lock the guide in position.
- 5.2.5. Operate the squeegee by pushing the vacuum cleaner across the area to be cleaned.
- 5.2.6. When cleaning is completed, raise and lock the squeegee by depressing the rest and lock pedal.





6. MAINTENANCE

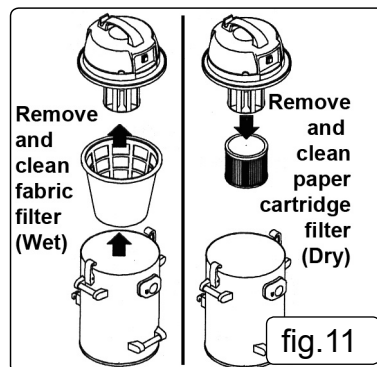
6.1. Cleaning

NOTE: If the suction is weak, remove the paper or fabric filter and remove the dust by hand-patting the filter.

- 6.1.1. Remove the vacuum cleaner head to access the filter. Refer to Fig. 11.
- 6.1.2. Remove all dust on the filter. Clean and if necessary air-dry the filter for further use.

6.2. Emptying the Tank

- 6.2.1. Position the cleaner next to a suitable container or drain. Lock tank onto frame as shown in fig.3. Put the rear wheel locks on. Hold the frame handle with one hand and lift the tank to the emptying position using the tank handle. Refer to Fig. 12.



7. TROUBLESHOOTING

Cleaner will not operate.	No power supply. Faulty power cable, switch or motor. Container full of liquid.	Check supply. Check and repair or replace faulty item. Empty container.
Dust comes from the motor cover.	Filter missing or damaged.	Fit or replace.
Reduced efficiency and increased motor speed/vibration.	Filter clogged. Nozzle, hose or bin inlet blocked.	Replace or clean filter. Check nozzle, hose and bin inlet for blockage.



ENVIRONMENT PROTECTION

Recycle unwanted materials instead of disposing of them as waste. All tools, accessories and packaging should be sorted, taken to a recycling centre and disposed of in a manner which is compatible with the environment. When the product becomes completely unserviceable and requires disposal, drain any fluids (if applicable) into approved containers and dispose of the product and fluids according to local regulations.



WEEE REGULATIONS

Dispose of this product at the end of its working life in compliance with the EU Directive on Waste Electrical and Electronic Equipment (WEEE). When the product is no longer required, it must be disposed of in an environmentally protective way. Contact your local solid waste authority for recycling information.

Note: It is our policy to continually improve products and as such we reserve the right to alter data, specifications and component parts without prior notice.

Important: No Liability is accepted for incorrect use of this product.

Warranty: Guarantee is 12 months from purchase date, proof of which is required for any claim.

Sealey Group, Kempson Way, Suffolk Business Park, Bury St Edmunds, Suffolk. IP32 7AR



01284 757500



01284 703534



sales@sealey.co.uk



www.sealey.co.uk