



PRESSURE WASHER SUBMERSIBLE PUMP IN CARRY CASE 12V

MODEL NO: **PW12CC**

Thank you for purchasing a Sealey product. Manufactured to a high standard, this product will, if used according to these instructions, and properly maintained, give you years of trouble free performance.

IMPORTANT: PLEASE READ THESE INSTRUCTIONS CAREFULLY. NOTE THE SAFE OPERATIONAL REQUIREMENTS, WARNINGS & CAUTIONS. USE THE PRODUCT CORRECTLY AND WITH CARE FOR THE PURPOSE FOR WHICH IT IS INTENDED. FAILURE TO DO SO MAY CAUSE DAMAGE AND/OR PERSONAL INJURY AND WILL INVALIDATE THE WARRANTY. KEEP THESE INSTRUCTIONS SAFE FOR FUTURE USE.



Refer to instructions



Wear eye protection



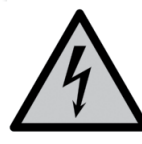
Wear protective gloves



Wear safety footwear



Wear protective clothing



Electrical shock hazard

1. SAFETY

1.1. ELECTRICAL SAFETY (WITH RESPECT TO MAINS CHARGERS)

- WARNING!** It is the user's responsibility to check the following:
- ✓ You must check the AC adaptor to ensure that it is safe before using. You must inspect the power supply lead, plugs and all electrical connections for wear and damage. You must ensure the risk of electric shock is minimised by the installation of appropriate safety devices. A RCCB (Residual Current Circuit Breaker) should be incorporated in the main distribution board. We recommend that an RCD (Residual Current Device) is used with all electrical products. It is particularly important to use an RCD with portable products that plug into an electrical supply not protected by an RCCB. If in doubt consult a qualified electrician. You can obtain a Residual Current Device through your Sealey stockist. You must read and understand instructions concerning electrical safety.
- ✓ The Electricity At Work Act 1989 requires all portable electrical appliances, if used on business premises, to be tested by a qualified person, using a Portable Appliance Tester (PAT), at least once a year.
- ✓ The Health & Safety at Work Act 1974 makes owners of electrical appliances responsible for the safe condition of the appliance and the safety of the appliance operator. If in any doubt about electrical safety, contact a qualified electrician.
- ✓ Ensure that the insulation on all cables and the product itself is safe before connecting to the mains power supply.
- ✓ Ensure that cables are always protected against short circuit and overload.
- ✓ Regularly inspect power supply, leads, plugs for wear and damage and power connections to ensure that none is loose.
- ✓ Check product voltage is the same as power supply to be used.

1.2. GENERAL SAFETY

- ✓ The operator must use the machine in accordance with the regulations. The local conditions must be taken into account. When working, pay attention to other people, especially to children.
- ✓ The operator is responsible for third parties in the work area. **DO NOT** accidentally direct the jet against other persons or animals in the area.
- ✓ All current-conducting components in the work area must be protected against splashed water.
- ✓ The machine must be placed on a stable surface.
- * **DO NOT** use solvent-containing liquids, undiluted acids, acetone or solvents, including petrol, paint thinners, heating oil. The sprayed vapours are highly flammable, explosive and toxic.
- * Never use with the filter removed or if the filter is damaged.
- * **DO NOT** modify the machine. Unauthorized modifications can impair the safety of your machine, lead to increased noise and vibrations, and poor performance.
- ✓ High pressure may cause objects to rebound. If necessary wear suitable personnel protective equipment such as safety goggles.
- ✓ Use only fresh (not saline) water.
- WARNING! DO NOT** use the washer if any part of the unit, gun, nozzle, detergent bottle, hose or cables is damaged. Replace or repair using genuine parts only. Unauthorised parts may be dangerous and will invalidate your warranty. Always check connections are correctly secured and not cracked or damaged in any way before using the machine.
- ✓ Always be aware of the potential hazards that may occur during use. Study the applications and limitations of the washer before use.
- ✓ Keep the washer in good condition. Use an authorised agent to service the unit.
- ✓ Wear adequate protective clothing, goggles and anti-slip rubber soled footwear.
- ✓ Use where air can freely circulate around the washer to avoid the machine over-heating.
- WARNING!** Ensure all persons and animals keep at a minimum distance of 15mtr from the washer when in use.
- WARNING!** The pressure washer must only be used with clean water. Non-filtered water or corrosive chemicals must not be used as they will damage the cleaner.
- ✓ Release residual pressure before disconnecting hose.
- ✓ Ensure the nozzle is aimed correctly at the working surface before activating the jet.
- WARNING!** The high pressure jet will cause loose particles to be propelled at high speed, which may cause serious injury.
- WARNING! DO NOT** use the washer on any material containing asbestos as this may release hazardous asbestos particles into the atmosphere.
- * **DO NOT** touch charger with wet hands, to avoid the risk of electrocution. Keep all connections dry and off the ground.
- * **DO NOT** direct jet against yourself, other persons or animals, electrical equipment or the machine itself.
- * **DO NOT** use washer if you are tired or under the influence of alcohol, drugs or intoxicating medication.
- * **DO NOT** use the washer with flammable or toxic liquids or any other product. Only use recommended detergent. Non-recommended detergents may corrode the machine cover and accessories.
- * **DO NOT** connect other appliances to the machine inlet or outlet.

- ✘ **DO NOT** move the unit by pulling the hoses or electrical cables.
- ✔ When not in use store in a frost proof, dry childproof location.

NOTE: This appliance can be used by children aged from 8 years and above and persons with reduced physical, sensory or mental capabilities or lack of experience and knowledge if they have been given supervision or instruction concerning use of the appliance in a safe way and understand the hazards involved. Children shall not play with the appliance. Cleaning and user maintenance shall not be made by children without supervision.

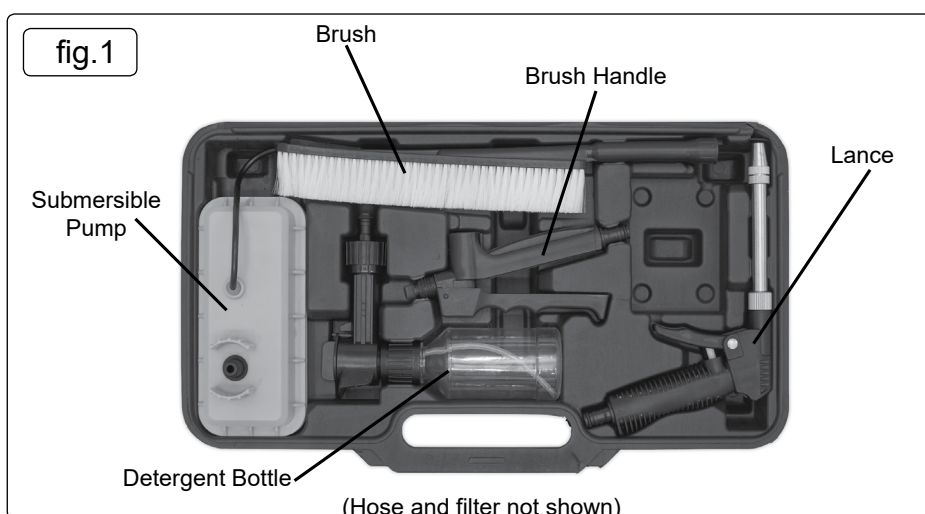
2. INTRODUCTION

Lightweight, portable submersible pump supplied in a carry-case. Ideal for washing many applications, especially where a mains power or water supply is not available, such as car shows, track days, window cleaning or even garden use. Unit is powered using a 4.8m cable fitted with a 12V vehicle accessory socket plug. Supplied with 8m hose, variable nozzle lance, detergent bottle and a long fixed brush. Fitted with a strong carry handle.

3. SPECIFICATION

Model No: PW12CC
 Hose Length: 8m
 Maximum Pressure: 9bar/131psi
 Motor Power: 36W
 Nett Weight: 3.1kg
 Supply: 12V
 Water Flow Rate: 180ltr/hr

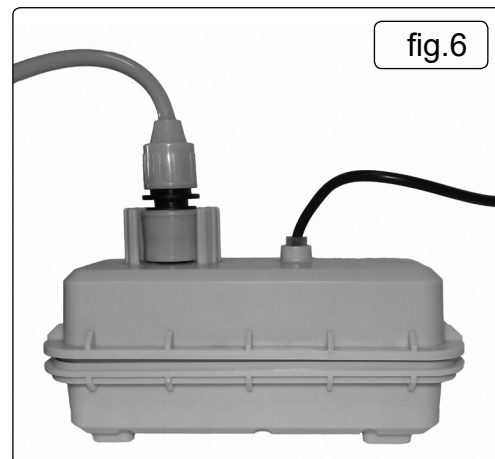
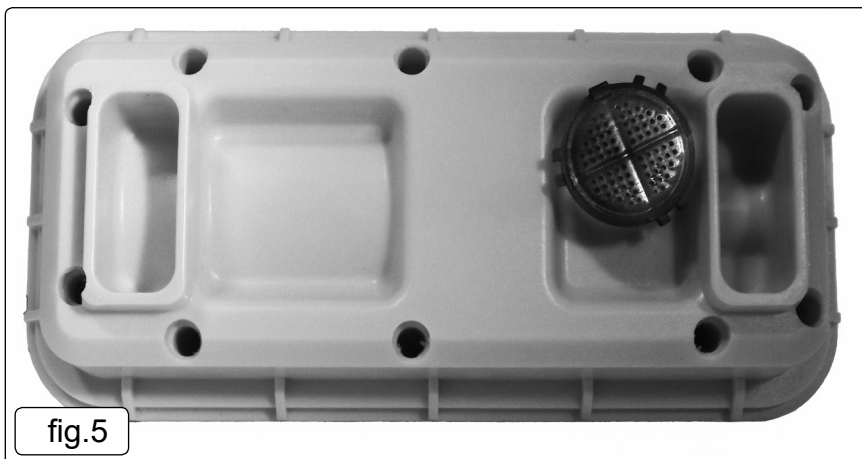
4. OPERATION



4.1. SETTING UP THE PUMP

- 4.1.1. Connect hose to pump unit (fig.6). Make sure the valve on the hose is closed (fig.3), this will prevent any accidental discharge.
- 4.1.2. Make sure the filter (fig.4) is in place on the bottom of the pump unit (fig.5).
- 4.1.3. Fill a bucket large enough to contain the pump unit with fresh uncontaminated water.
- 4.1.4. Connect 12v plug to the vehicle accessories socket.
- 4.1.5. Connect the desired attachment to the hose. Open the valve on the hose (fig.2).





4.2. THE DETERGENT BOTTLE

- 4.2.1. The detergent bottle can be removed by unscrewing from the nozzle body.
- 4.2.2. When filled with appropriate detergent, screw the bottle in place.
- 4.2.3. The detergent flow has three settings; off, spray and jet (fig.7).
- 4.2.4. When the detergent has been exhausted, remove the bottle, empty and refill with neat detergent.

4.3. PACKING THE PUMP AWAY

- 4.3.1. Remove any attachments from the end of the hose.
- 4.3.2. To disconnect the hose, pull back the outer sleeve on the connector.
- 4.3.3. Drain the hose.
- 4.3.4. Drain any equipment. Dispose of detergents according to manufacturers instructions.
- 4.3.5. Make sure the equipment is dry before storing it.



5. MAINTENANCE

- 5.1. The pump unit does not require any regular maintenance
- 5.2. The 12V connector lead is fitted with an 8A fast blow cartridge fuse in the accessory socket. If blown, re-place with identical fuse.
- 5.3. Should the nozzle become blocked, run the nozzle cleaning tool through gently to remove any deposits.
- 5.4. When disconnected from the hose, the nozzle can be back-flushed with either water or air to dislodge any blockage.
- 5.5. When not in use drain the machine, remove hoses and store in a cool yet frost proof location beyond the reach of children.

Parts support is available for this product. To obtain parts, please log on to www.sealey.co.uk, email sales@sealey.co.uk or telephone 01284 757500



ENVIRONMENT PROTECTION

Recycle unwanted materials instead of disposing of them as waste. All tools, accessories and packaging should be sorted, taken to a recycling centre and disposed of in a manner which is compatible with the environment. When the product becomes completely unserviceable and requires disposal, drain any fluids (if applicable) into approved containers and dispose of the product and fluids according to local regulations.



WEEE REGULATIONS

Dispose of this product at the end of its working life in compliance with the EU Directive on Waste Electrical and Electronic Equipment (WEEE). When the product is no longer required, it must be disposed of in an environmentally protective way. Contact your local solid waste authority for recycling information.

Note: It is our policy to continually improve products and as such we reserve the right to alter data, specifications and component parts without prior notice.

Important: No Liability is accepted for incorrect use of this product.

Warranty: Guarantee is 12 months from purchase date, proof of which is required for any claim.

Sealey Group, Kempson Way, Suffolk Business Park, Bury St Edmunds, Suffolk. IP32 7AR



01284 757500



01284 703534



sales@sealey.co.uk



www.sealey.co.uk