

Thank you for purchasing a Sealey Product. Manufactured to a high standard this product will, if used according to these instructions and properly maintained, give you years of trouble free performance.



**IMPORTANT: PLEASE READ THESE INSTRUCTIONS CAREFULLY. NOTE THE SAFE OPERATIONAL REQUIREMENTS, WARNINGS AND CAUTIONS. USE THIS PRODUCT CORRECTLY AND WITH CARE FOR THE PURPOSE FOR WHICH IT IS INTENDED. FAILURE TO DO SO MAY CAUSE DAMAGE AND/OR PERSONAL INJURY AND WILL INVALIDATE THE WARRANTY. PLEASE KEEP INSTRUCTIONS SAFE FOR FUTURE USE.**

### 1. SAFETY INSTRUCTIONS

- ▲ **DANGER!** Stop compressing the spring before the coil windings touch.
- **WARNING!** Ensure Health & Safety, local authority, and general workshop practice regulations are adhered to when using this equipment.
- ✓ Ensure that a vehicle which has been jacked up is adequately supported with axle stands and that the wheels are chocked, refer to the vehicle manufacturer's service instructions or a proprietary manual.
- **WARNING!** Wear approved safety eye protection (standard spectacles are not adequate).
- **WARNING!** Measure the outer diameter of the spring to be compressed and select the correct set of yokes to fit the spring.
- X **DO NOT** operate spring compressor if parts are damaged or missing as this may cause failure and/or personal injury.
- X **DO NOT** force the spring compressor to achieve a task it is not designed to perform.
- X **DO NOT** allow untrained persons to use the spring compressor.
- ✓ Familiarise yourself with the applications, limitations and potential hazards of the spring compressor.
- ✓ Maintain the spring compressor in good condition. Replace or repair damaged parts. Use genuine parts only. Unauthorised parts may be dangerous and will invalidate the warranty.
- ✓ Keep the work area clean, uncluttered and ensure there is adequate lighting.
- ✓ Keep hands and body clear of the spring when operating the spring compressor.
- ✓ Maintain correct balance and footing. Ensure the floor is not slippery and wear non-slip shoes.
- ✓ Remove ill fitting clothes. Remove ties, watches, rings, other loose jewellery. Contain and/or tie back long hair.
- ✓ Wear appropriate protective clothing.
- ✓ When not in use clean and store the spring compressor in a safe, dry, childproof location.

Fig.1



Item	Description	Part No.
1	Yoke 60-120mm Upper	RE2281.01
2	Yoke 60-120mm Lower	RE2281.02
3	Yoke 120-170mm Upper	RE2281.03
4	Yoke 120-170mm Lower	RE2281.04
5	Force Screw	RE2281.05
6	Drive Extension	RE2281.06
7	T-Handle Hex Key	RE2281.07
8	Combination Ratchet Spanner	RE2281.08

**DO NOT USE AIR TOOLS**



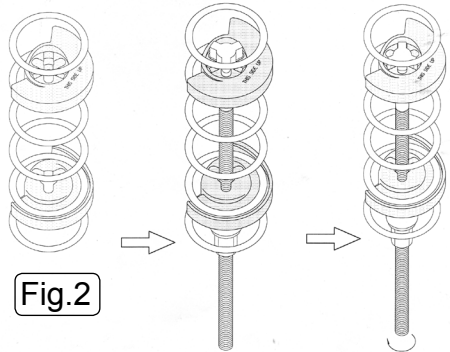
### 2. TECHNICAL SPECIFICATION

Model No: .....RE2281  
 Contents: .....Yokes (x4),  
 .....Force Screw,  
 ..... 23 to 19mm Drive Extension  
 ..... 19mm Combination Ratchet Spanner  
 ..... 8mm T-Handle Hex Key  
 Capacity: ..... 1000kg  
 Size/Suitability: ..... Ø60-170mm  
 Jaw Opening: ..... 30-245mm  
 Drive: ..... 19 & 23mm Hex

### 3. INTRODUCTION

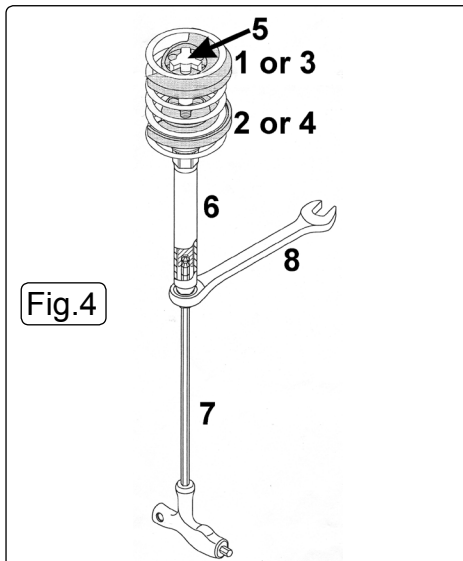
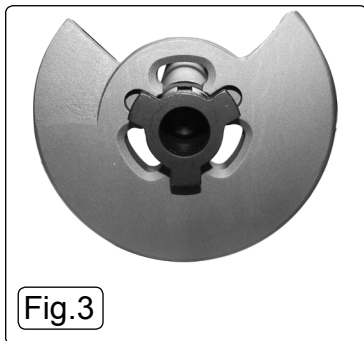
Designed for use on wishbone suspension using access points in the rear suspension arm. Features two pairs of carefully shaped yokes that prevent the coil spring from bowing. Saves time over traditional methods of demounting springs.

Fig.2



#### 4. INSTRUCTIONS FOR USE

- WARNING!** Measure the outer diameter of the spring to be compressed and select the correct set of yokes.
- IMPORTANT!** Do not start by using the coil spring compressor fully extended, but adjusted to a length of approx. 200mm. This will ensure adequate travel to fully expand and compress the spring regardless of the initial spring tension.
- Ensure that the coil spring to be compressed is free from dirt and grease where the yokes will be in contact with it.
- 4.1. Jack up the vehicle to remove the coil spring. Ensure that the vehicle is safely and properly supported.
- 4.1.1. Insert the yoke (Fig.1-2 or 4) into the lower spring windings.
- 4.1.2. Insert yoke (Fig.1-1 or 3) into the upper spring windings. Ensure that the spring windings sit between the inner and outer rims of the yoke.
- 4.1.3. Insert the main body of the spring compressor into the inside of the spring from below with the hexagonal drive nut facing downwards (Fig.2). Guide compressor through the lower yoke and up into the upper yoke, when the compressor has passed through the upper yoke turn the body through approx 50° so it locates in the locking grooves on the yoke (Fig.3).
- 4.1.4. Fit the 23 to 19mm Drive Extension to the hexagonal drive nut and begin to turn the hexagonal drive nut with the 19mm Combination Ratchet Spanner, until the yokes are firmly in contact with the spring. Before proceeding ensure that the spring is correctly placed within both yokes and yokes are correctly aligned on the compressor body. Insert the 8mm T-Handle Hex Key into the lower end of the Force Screw, to hold the Force Screw stationary whilst the Drive Extension is being turned (Fig.4).
- 4.1.5. Now continue to compress the spring.
- WARNING!** An air wrench must not be used. Use of air wrench will invalidate warranty.
- WARNING!** Spring compression **MUST CEASE BEFORE** the windings touch. DO NOT allow the compressor to reach the limit of its travel in either direction.
- 4.1.6. Remove the spring and compressor assembly from the vehicle as soon as you have attained sufficient compression.
- 4.1.7. With the spring adequately supported drive the compressor in the opposite direction and remove the compressor and yokes from the spring.
- 4.1.8. To re-mount the spring back in the wishbone assembly, reverse the compress procedure.



#### 5. MAINTAINING THE COMPRESSOR

- 5.1. General Maintenance.
- 5.1.1. Before each use check the compressor to ensure it is not damaged or worn. If suspect, do not use the unit, but contact your local Sealey Dealer who will be able to advise you regarding repair kits and spare parts.
- 5.1.2. Grease the compressor spindle as necessary, at least every six months using graphite grease.
- 5.1.3. Keep the compressor clean, and when not in use store in a safe, dry, childproof location.



#### Environmental Protection.

Recycle unwanted materials instead of disposing of them as waste. All tools, accessories and packaging should be sorted, taken to a recycle centre and disposed of in a manner which is compatible with the environment.

**NOTE:** It is our policy to continually improve products and as such we reserve the right to alter data, specifications and component parts without prior notice.

**IMPORTANT:** No liability is accepted for incorrect use of this product.

**WARRANTY:** Guarantee is 12 months from purchase date, proof of which will be required for any claim.

**INFORMATION:** For a copy of our latest catalogue and promotions call us on 01284 757525 and leave your full name and address, including postcode.

**SEALEY Professional TOOLS**  
**Auto Service Line**

Sole UK Distributor, Sealey Group,  
Kempton Way, Suffolk Business Park,  
Bury St. Edmunds, Suffolk,  
IP32 7AR

01284 757500

01284 703534



www.sealey.co.uk



sales@sealey.co.uk