

Thank you for purchasing a Sealey product. Manufactured to a high standard this product will, if used according to these instructions and properly maintained, give you years of trouble free performance.

⚠ IMPORTANT: PLEASE READ THESE INSTRUCTIONS CAREFULLY. NOTE THE SAFE OPERATIONAL REQUIREMENTS, WARNINGS & CAUTIONS. USE THE PRODUCT CORRECTLY AND WITH CARE FOR THE PURPOSE FOR WHICH IT IS INTENDED. FAILURE TO DO SO MAY CAUSE DAMAGE AND/OR PERSONAL INJURY AND WILL INVALIDATE THE WARRANTY. PLEASE KEEP INSTRUCTIONS SAFE FOR FUTURE USE.

1. SAFETY INSTRUCTIONS

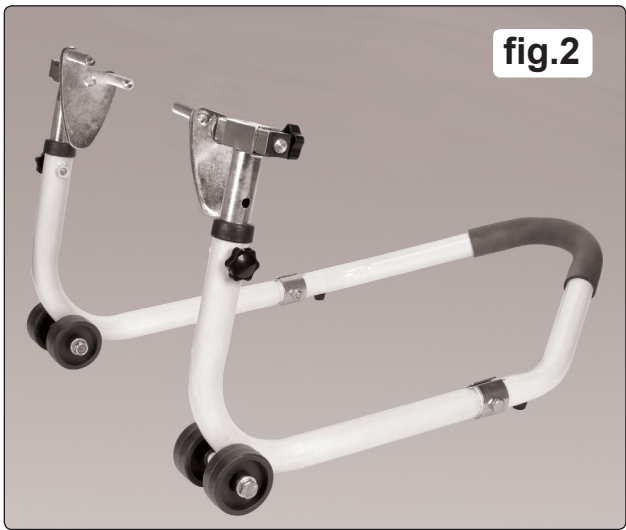
- ❑ **WARNING! Before use, ensure that there is nothing attached to the front forks, the fairing, or the rear end of the motorcycle, that will foul the stand.**
- ✓ Maintain the stand in a good clean condition for the best and safest performance.
- ✓ Locate the stand and motorcycle in a suitable area. Keep area clean and tidy and free from unrelated materials and ensure that there is adequate lighting. Also ensure that the floor/ground is level and strong enough (preferably concrete) to take the weight of the stand and the motorcycle.
- ✗ **DO NOT** mount the stand on tarmac/adam, as the surface may be unstable.
- ✓ Maintain correct balance and footing whilst positioning the motorcycle on the stand, do not over reach and wear non-slip footwear.
- ✓ Ensure that the floor is not slippery.
- ✓ Keep children and unauthorised persons away from the work area.
- ✗ **DO NOT** use the stand for a purpose it is not designed to perform.
- ✗ **DO NOT** operate the stand if it is damaged.
- ✗ **DO NOT** use the stand when you are tired or under the influence of alcohol, drugs or intoxicating medication.
- ✗ **DO NOT** allow untrained persons to operate the stand.
- ✗ **DO NOT** make any modifications to the stand.
- ✓ Before removing a motorcycle from the stand, ensure that there are no obstructions or persons around the motorcycle.
- ✓ Keep hands and fingers away from moving parts and support pins.
- ✓ If using as a front stand, always use in conjunction with another suitable rear stand to ensure full stability.
- ✗ **DO NOT** operate the stand if parts are missing or damaged.
- ✗ **DO NOT** attempt to transport a load on the stand.
- ✓ When not in use, store in a safe, dry, childproof location.

2. INTRODUCTION & SPECIFICATION

- 2.1. **Introduction.**
Lifts and stabilises any dual arm sports bike quickly and easily. Fitted with width and angle adjustable rubber support pads. Rubber supports mounted on heavy-duty box section for continuous professional use. Bobbin Supports available as an optional extra - Model No. RPS1BS.
- 2.2. **Specification.**
Model No: **RPS5**
 Minimum/Maximum Front Support Width: 135-250mm
 Minimum/Maximum Rear Support Width: 220-365mm
 Minimum/Maximum Height Adjustment: 320-385mm

3. ASSEMBLY INSTRUCTIONS

- 3.1. **The stand is flat packed and requires minimal assembly before first use.**
- 3.1.1. Attach the two side frames to the main handle frame using two metal clamps and a nut and bolt for each side. Use the narrow handle for front fitment and the wide handle for rear fitment. Ensure that the clamps, nuts and bolts are fitted correctly, and tighten them so that there is no movement in the stand. Ensure that the stand sits squarely when placed on the ground.
- 3.1.2. Slide the two fork support frames into the side frame tops and lock in place with the plastic handled locking clamps. Fit the required supports - the flat rubber supports for rear fitment (fig.1) or the fork supports for front fitment (fig.2). Note that the fork supports are handed and should be assembled as in fig.2.



4. OPERATING INSTRUCTIONS

FRONT FITMENT

NOTE: If this paddock stand is used to lift the front end of a motorcycle, it needs to be used in conjunction with a suitable rear stand to ensure full stability.

Although the stand can be operated by one person, we advise seeking the assistance of a second person.

4.1. Setting the fork supports to the correct width and height.

- 4.1.1. Ascertain the width of the motorcycle's front forks in order to set the support frames of the stand to the correct width. Unscrew the plastic handled locking clamps and adjust the supports to the correct width equally both sides, and lock in place.
- 4.1.2. Ascertain the required height of each side of the support frames, bear in mind that the forks may not be of equal length. Unscrew and remove the plastic handled locking bolts and adjust the supports to the required height for each side, lock in place by replacing and tightening the locking bolts.

NOTE: Double check that the support frames are correctly positioned before proceeding.

4.2. Positioning the motorcycle onto the stand.

- 4.2.1. Adjust the fork supports so that the longer sides (opposite side to the handle) are roughly vertical (fig.2).
- 4.2.2. With the stand placed directly in front of the motorcycle, manoeuvre the stand so that the fork supports fit behind and under the bottom of the fork legs. Continue to push down on the stand handle so that the supports begin to cradle the forks and lift the front of the motorcycle. Ensure that both forks are cradled and that the supports are not fouling anything, i.e. the speedometer cable (fig.3). If everything is OK, continue to push down on the stand handle with a smooth movement until the handle reaches the ground. As the handle nears the ground, take care not to let go of it, as the weight of the motorcycle will be pushing down on it.
- 4.2.3. Check that the motorcycle is stable on the stand before leaving it.

4.3. Removing the stand.

- 4.3.1. Slowly and smoothly lift the handle of the stand upwards, ensuring that the motorcycle remains stable at all times. Continue to lift the stand handle and when the supports have cleared the forks, pull the stand away from the motorcycle.

REAR FITMENT

We advise seeking the assistance of a second person.

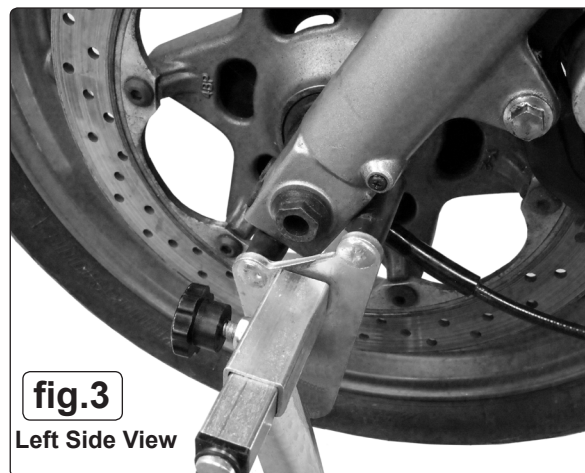
4.4. Setting the stand support frames to the correct width and height.

- 4.4.1. Ascertain the width of the motorcycle's rear swinging arm in order to set the support frames of the stand to the correct width. Unscrew the plastic handled locking clamps and adjust the supports to the correct width equally both sides, and lock in place.
- 4.4.2. Ascertain the required height of each side of the support frames. Unscrew and remove the plastic handled locking bolts and adjust the supports to the required height for each side, lock in place by replacing and tightening the locking bolts.

NOTE: Double check that the support frames are correctly positioned before proceeding.

4.5. Positioning the motorcycle onto the stand.

- 4.5.1. With the stand placed directly behind the motorcycle, manoeuvre the stand so that the supports fit under the swinging arm. Continue to push down on the stand handle so that the supports begin to cradle the swinging arm and lift the rear of the motorcycle. Ensure that both sides of the swinging arm are cradled and that the supports are not fouling anything. If everything is OK, continue to push down on the stand handle with a smooth movement until the handle reaches the ground. As the handle nears the ground, take care not to let go of it, as the weight of the motorcycle will be pushing down on it.
 - 4.5.2. Check that the motorcycle is stable on the stand before leaving it.
- #### 4.6. Removing the stand.
- 4.6.1. Slowly and smoothly lift the handle of the stand upwards, ensuring that the motorcycle remains stable at all times. Continue to lift the stand handle and when the supports have cleared the swinging arm, pull the stand away from the motorcycle.



5. MAINTENANCE

- 5.1. When the stand is not in use, store it in a safe, dry, childproof location.
- 5.2. Keep the stand clean and wipe off any oil or grease.
- 5.3. Before each use, check all parts. If any part of the stand is damaged or defective, remove it from service and take the necessary action to remedy the problem.

NOTE: It is our policy to continually improve products and as such we reserve the right to alter data, specifications and component parts without prior notice.

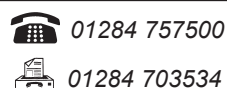
IMPORTANT: No liability is accepted for incorrect use of this product.

WARRANTY: Guarantee is 12 months from purchase date, proof of which will be required for any claim.

INFORMATION: For a copy of our latest catalogue and promotions call us on 01284 757525 and leave your full name and address, including postcode.



Sole UK Distributor, Sealey Group,
Kempson Way, Suffolk Business Park,
Bury St. Edmunds, Suffolk,
IP32 7AR



01284 757500

01284 703534



www.sealey.co.uk



sales@sealey.co.uk