

Thank you for purchasing a Sealey Product. Manufactured to a high standard this product will, if used according to these instructions and properly maintained, give you years of trouble free performance.



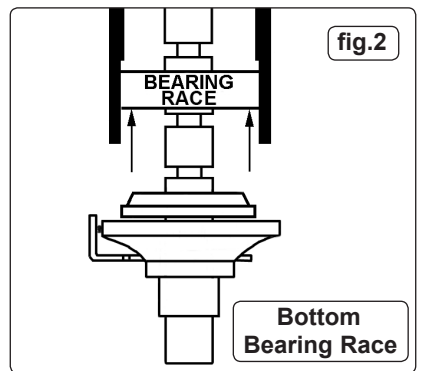
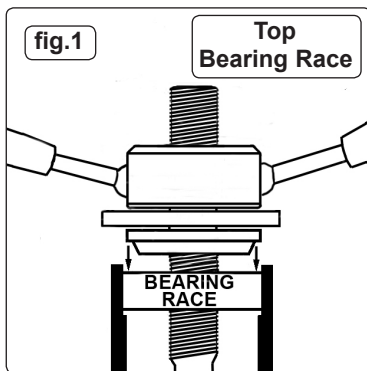
**IMPORTANT: PLEASE READ THESE INSTRUCTIONS CAREFULLY. NOTE THE SAFE OPERATIONAL REQUIREMENTS, WARNINGS AND CAUTIONS. USE THIS PRODUCT CORRECTLY AND WITH CARE FOR THE PURPOSE FOR WHICH IT IS INTENDED. FAILURE TO DO SO MAY CAUSE DAMAGE AND/OR PERSONAL INJURY AND WILL INVALIDATE THE WARRANTY. PLEASE KEEP INSTRUCTIONS SAFE FOR FUTURE USE.**

## 1. SAFETY INSTRUCTIONS

- ❑ **WARNING!** Ensure Health & Safety, local authority, and general workshop practice regulations are adhered to when using this equipment.
- ❑ **WARNING!** Always wear approved eye protection when using the press. Failure to do so may result in serious injury. *Normal spectacles are not adequate protection.*
- ✓ Familiarise yourself with the specific applications and limitations of the press, as well as any potential hazards.
- ✓ If unsure of the applications or limitations of the press, contact your supplier.
- ✓ Ensure that the press is the correct tool for the task. **DO NOT** use the press for any purpose other than that for which it is designed.
- ✓ Replace or repair damaged parts. *Use genuine parts only. Unauthorised parts may be dangerous and will invalidate the warranty.*
- ✓ Ensure that the workpiece is stable and that there is adequate lighting.
- ✓ Maintain correct balance and footing. Ensure the floor is not slippery and wear non-slip shoes.
- ✓ Ensure that the front of the motorcycle frame is adequately supported when the front wheel and forks are removed.
- x **DO NOT** use press if any parts are damaged or missing as this may cause failure and/or personal injury.
- x **DO NOT** use the press when you are tired or under the influence of alcohol, drugs or intoxicating medication.
- ✓ Keep children and unauthorised persons away from the working area.
- ✓ When not in use, return parts to the case, and store in a safe, dry, childproof location.

## 2. INTRODUCTION

Aluminium kit suitable for straight installation of bearing race without damage to the bearings or headstock. Includes seven dies for bearing sizes ranging from 32 to 46mm. Bearing setting bar features seven increments for a wide range of headstock sizes. Comfort grip T-handle rotates separately from the press plate for smooth bearing installation. Once the bearing has been set, use the bearing seating tool to finish installation.



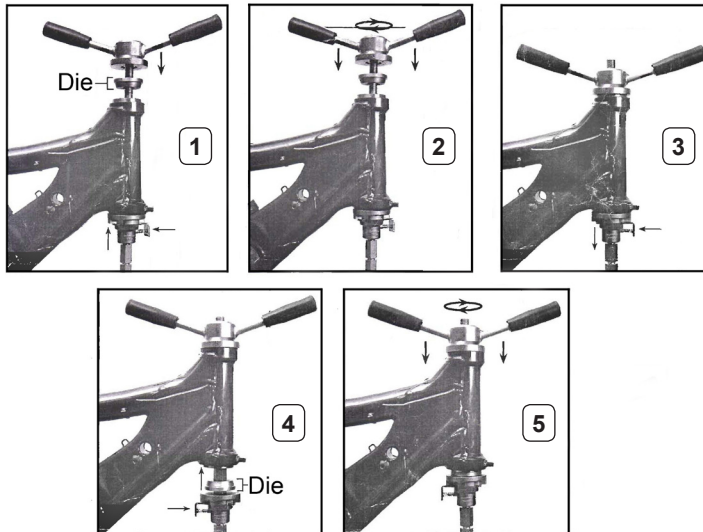
## 3. OPERATION

### 3.1. Top Bearing Race Insertion

- 3.1.1. Position top bearing race in headstock and select appropriate size die, one which is slightly **smaller** than the diameter of the bearing race.

- 3.1.2. Slide the pressure plate onto the bearing setting bar allowing it to click into one of its positions. Then push the assembly up through the headstock, bearing race and die. Wind the winding handle onto the bar and re-adjust the pressure plate to the correct setting (fig.3.2).
- 3.1.3. Wind the winding handle so that the bearing race is pushed into the headstock. When in place release the pressure plate (fig.3.3).
- 3.2. Bottom Bearing Race Insertion**
- 3.2.1. Position bottom bearing race in headstock and select appropriate size die, one which is slightly **smaller** than the diameter of the bearing race.
- 3.2.2. Slide the pressure plate onto the bearing setting bar, allowing it to click into one of its positions (fig.3.4.). Continue to wind the winding handle onto the bar so that the bearing race is pushed into the headstock (fig.3.5). When in place release the pressure plate and remove the assembly from the headstock.
- 3.2.3. To ensure that both bearing races are fully driven home, place the die onto the die handle, position it over the bearing race and using a soft faced hammer, drive the bearing race home. Return all parts to the case, and store in a safe, dry, childproof location.

fig.3



## 4. PARTS

VS1815.01	WINDING HANDLE	VS1815.06-4	DIE, 42mm
VS1815.02	WINDING HANDLE KNOB	VS1815.06-5	DIE, 46mm
VS1815.03	NYLON WASHER	VS1815.07	SLIDING LEVER (PRESS. PLATE)
VS1815.04	MOVEABLE PLATE	VS1815.08	SPLIT PIN
VS1815.05	CIRCLIP	VS1815.09	SPRING
VS1815.06-1	DIE, 32mm	VS1815.10	SLIDING PRESSURE PLATE
VS1815.06-2	DIE, 36mm	VS1815.11	SETTING BAR
VS1815.06-3	DIE, 38mm	VS1815.12	DIE DRIVING HANDLE



### ALWAYS WEAR SAFETY GOGGLES WHEN USING DRIVERS

Users of drivers are reminded that damage to the striking faces can take place and we recommend that safety goggles are worn when using this tool.

**NOTE:** It is our policy to continually improve products and as such we reserve the right to alter data, specifications and component parts without prior notice.

**IMPORTANT:** No liability is accepted for incorrect use of this product.

**WARRANTY:** Guarantee is 12 months from purchase date, proof of which will be required for any claim.

**INFORMATION:** For a copy of our latest catalogue and promotions call us on 01284 757525 and leave your full name and address, including postcode.

**SEALY**  
Professional  
TOOLS  
AUTO SERVICE LINE

Sole UK Distributor, Sealey Group,  
Kempson Way, Suffolk Business Park,  
Bury St. Edmunds, Suffolk,  
IP32 7AR



01284 757500

01284 703534



www.sealey.co.uk



sales@sealey.co.uk