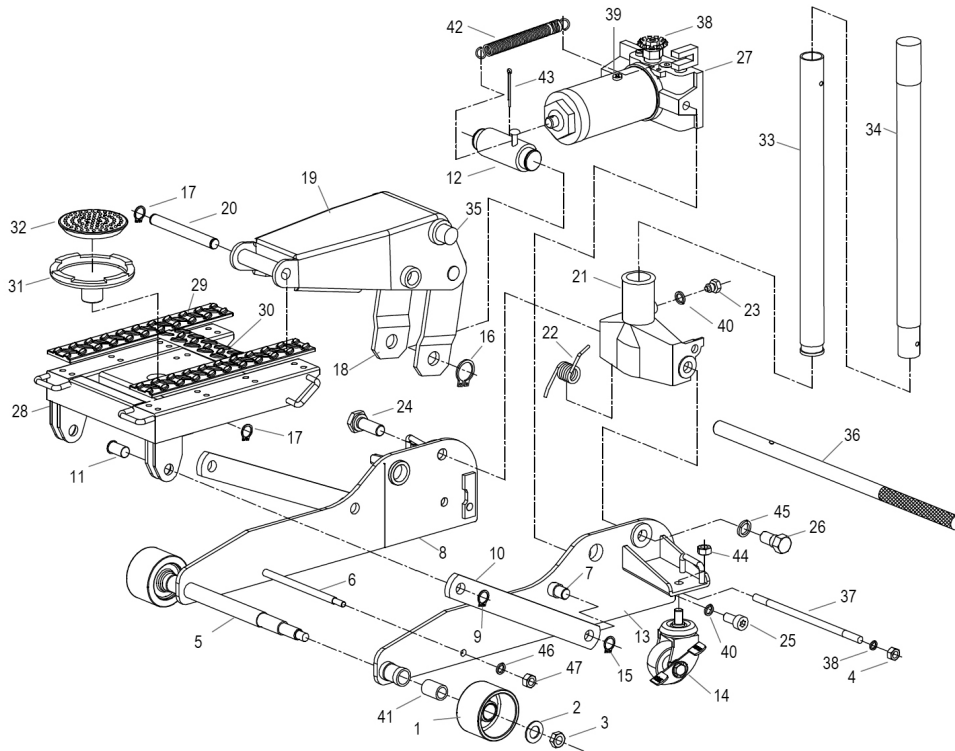


Parts Information: Combination Trolley Jack 2tonne Model No: 2000CJX.V2



Item	Part No.	Description
1	2000CJX.V2-01	WHEEL,FRONT FIXED (76x20x47)
2	2000CJX.V2-02	FLAT WASHER
3	SN12.S	STEEL NUT M12 ZINC DIN934(SINGLE)
4	2000CJX.V2-04	CROSS LINK NUT
5	2000CJX.V2-05	WHEEL AXLE
6	2000CJX.V2-06	CROSS LINK
7	2000CJX.V2-07	LOWER RADIUS LINK PIN
8	2000CJX.V2-08	RIGHT SIDE PLATE
9	2000CJX.V2-09	C-CLIP 16
10	2000CJX.V2-10	RADIUS LINK
11	2000CJX.V2-11	UPPER RADIUS LINK PIN
12	2000CJX.V2-12	LOAD BLOCK
13	2000CJX.V2-13	LEFT SIDE PLATE
14	2000CJX.V2-14	CASTOR ASSEMBLY
15	2000CJX.V2-15	C-CLIP 16
16	2000CJX.V2-16	C-CLIP 20
17	2000CJX.V2-17	C-CLIP 17
18	2000CJX.V2-18	POWER UNIT LINK
19	2000CJX.V2-19	LIFT ARM
20	2000CJX.V2-20	PIN
21	2000CJX.V2-21	HANDLE SOCKET
22	2000CJX.V2-22	RETURN SPRING
23	2000CJX.V2-23	HANDLE RETAINING BOLT
24	2000CJX.V2-24	YOKE PIN 66x18MM

Item	Part No.	Description
25	2000CJX.V2-25	POWER UNIT BOLT
26	2000CJX.V2-26	YOKE PIN 35x18mm
27	2000CJX.V2-27	POWER UNIT ASSEMBLY
28	2000CJX.V2-28	LIFT PLATFORM
29	2000CJX.V2-29	LONG RUBBER PAD
30	2000CJX.V2-30	SHORT RUBBER PAD
31	2000CJX.V2-31	SADDLE
32	2000CJX.V2-32	SADDLE PAD
33	2000CJX.V2-33	LOWER RELEASE HANDLE
34	2000CJX.V2-34	UPPER RELEASE HANDLE
35	2000CJX.V2-35	LIFT ARM PIVOT PIN
36	2000CJX.V2-36	LOCKING BAR
37	SN10.S	STEEL NUT M10 ZINC DIN934(SINGLE)
38	SWM10.SB	SPRING WASHER M10 BLACK(SINGLE)
39	2000CJX.V2-39	PULL LINK
40	SWM12.S	SPRING WASHER M12 ZINC (SINGLE)
41	2000CJX.V2-41	WHEEL BUSH
42	2000CJX.V2-42	SPRING
43	2000CJX.V2-43	COTTER PIN
44	NLN12.S	NYLOC NUT M12 ZINC DIN 985 (SINGLE)
45	SWM8.S	SPRING WASHER M8 ZINC (SINGLE)
46	SN8.S	STEEL NUT M8 ZINC DIN934 (SINGLE)
47	SWM18.S	SPRING WASHER M18 ZINC (SINGLE)

NOTE: It is our policy to continually improve products and as such we reserve the right to alter data, specifications and component parts without prior notice.

IMPORTANT: No liability is accepted for incorrect use of product.

WARRANTY: Guarantee is 12 months from purchase date, proof of which will be required for any claim.