

NOTE: It is our policy to continually improve products and as such we reserve the right to alter data, specifications and component parts without prior notice.

IMPORTANT: No liability is accepted for incorrect use of product.

WARRANTY: Guarantee is 12 months from purchase date, proof of which will be required for any claim.



Parts Information:
Trolley Jack 3tonne with Safety Lock
Model No: 3000LJ

Item	Part No.	Description
1	3000LJ.01	SADDLE
2	3000LJ.02	LIFT ARM
3	3000LJ.03	RETAINING RING (16mm)
4	3000LJ.04	RETAINING RING (18mm)
5	3000LJ.05	FLAT WASHER (18mm)
6	3015CXD.03	WHEEL,FRONT FIXED (80x17x46)
7	3000LJ.07	SIDE MEMBER (RIGHT)
8	3000LJ.08	FRONT WHEEL SHAFT
9	3000LJ.09	CONNECTING LEVER
10	3000LJ.10	HEX HEAD BOLT (M8x15)
11	3000LJ.11	SPRING WASHER (8mm)
12	3000LJ.12	HEX HEAD BOLT (M12x25)
13	3000LJ.13	SPRING WASHER (12mm)
14	3000LJ.14	NUT M16 (USE SN16.S)
15	3000LJ.15	SPRING WASHER (16mm)
16	3000LJ.16	PRESSURE BOLT (M18x5)
17	3000LJ.17	SPRING WASHER (18mm)
18	3000LJ.18	HANDLE SOCKET SHAFT
19	3000LJ.19	CONNECTING BOLT
20	3000LJ.20	SPRING WASHER (16mm)
21	SN16.S	STEEL NUT M16 ZINC DIN934(SINGLE)
22	3000LJ.22	HYDRAULIC PUMP
23	3000LJ.23	TENSION SPRING (SMALL)
24	3000LJ.24	HANDLE SOCKET

Item	Part No.	Description
25	3000LJ.25	IDLER WHEEL
26	3000LJ.26	IDLER WHEEL PIN
27	3000LJ.27	COTTER PIN (2.5x16)
28	3000LJ.28	HANDLE SOCKET BOLT (M12)
29	3000LJ.29	LOWER HANDLE
30	3000LJ.30	HANDLE SCREW (M6x35)
31	3000LJ.31	HANDLE GRIP
32	3000LJ.32	UPPER HANDLE C/W RUBBER GRIP
33	3000LJ.33	TAPPING SCREW C/S (M5x15)
34	3000LJ.34	COVER PLATE
35	3000LJ.35	FOOT PEDAL
36	3000LJ.36	RETAINING RING (22mm)
37	3000LJ.37	FOOT PEDAL LEVER
38	3000LJ.38	R-PIN
39	3000LJ.39	RETURN SPRING
40	3000LJ.40	CONNECTING BLOCK
41	3000LJ.41	COTTER PIN (4x45)
42	3000LJ.42	WASHER
43	3000LJ.43	FOOT PEDAL PIN ASS'Y
44	3000LJ.44	SAFETY CAP
45	3000LJ.45	CASTOR ASS'Y
46	3000LJ.46	SIDE MEMBER (LEFT)
47	3000LJ.47	BUSHING

NOTE: It is our policy to continually improve products and as such we reserve the right to alter data, specifications and component parts without prior notice.

IMPORTANT: No liability is accepted for incorrect use of product.

WARRANTY: Guarantee is 12 months from purchase date, proof of which will be required for any claim.

Sealey Group, Kempson Way, Suffolk Business Park, Bury St Edmunds, Suffolk. IP32 7AR



01284 757500



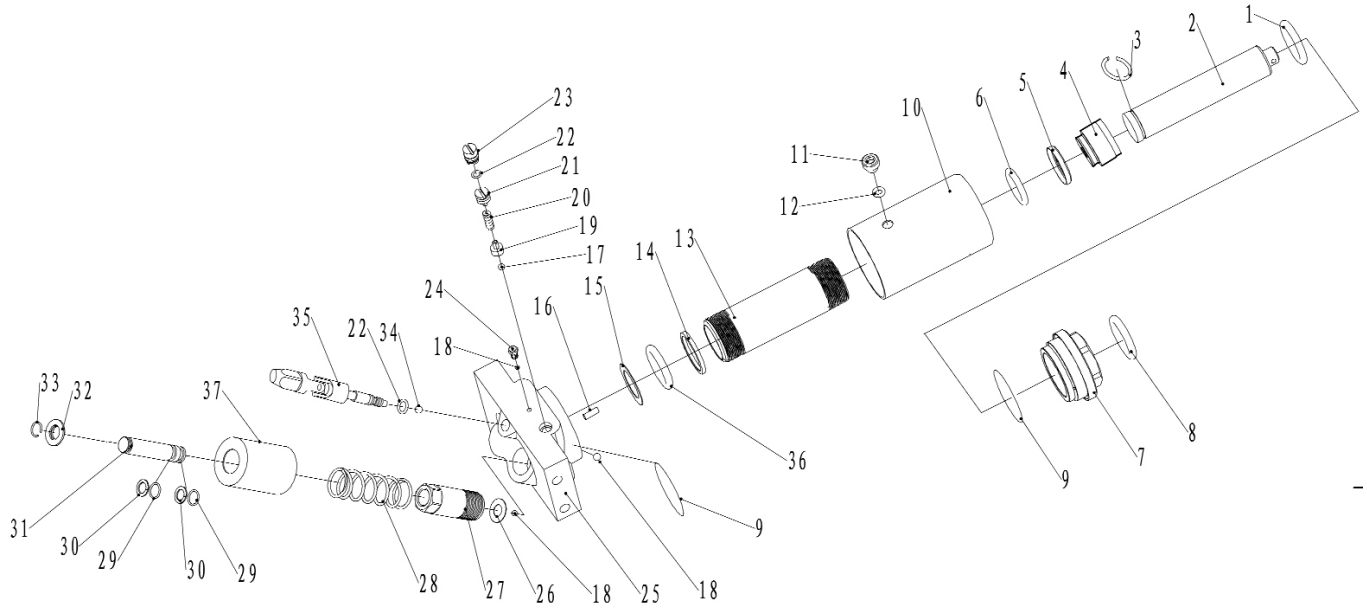
01284 703534



sales@sealey.co.uk



www.sealey.co.uk



Item	Part No.	Description
1	3000LJ.P01	PISTON O-RING
2	3000LJ.P02	PISTON ROD
3	3000LJ.P03	SNAP RING
4	3000LJ.P04	PISTON HEAD
5	3000LJ.P05	BOWL WASHER (42x5.5)
6	3000LJ.P06	O-RING (32.8x4.6)
7	3000LJ.P07	TOP CAP
8	3000LJ.P08	O-RING (29.6x3.5)
9	3000LJ.P09	SEALING RING
10	3000LJ.P10	RESERVOIR
11	3000LJ.P11	OIL FILLER SCREW
12	3000LJ.P12	O-RING
13	3000LJ.P13	OIL CYLINDER
14	3000LJ.P14	BOTTOM CYLINDER NYLON RING
15	3000LJ.P15	COPPER PACKING
16	3000LJ.P16	OIL STRAINER
17	SB-4.0	STEEL BALL 4.0mm
18	SB-5.0	STEEL BALL 5.0mm
19	3000LJ.P19	BALL VALVE SEAT

Item	Part No.	Description
20	3000LJ.P20	SAFETY VALVE SPRING
21	3000LJ.P21	PRESSURE ADJUSTING SCREW
22	3000LJ.V2-P20	O-RING (8x1.8)
23	3000LJ.P23	SAFETY VALVE SCREW
24	3000LJ.P24	HEX BOLT(M6x12)
25	3000LJ.P25	BASE PLATE
26	3000LJ.P26	COPPER PACKING (25x14x0.7)
27	3000LJ.P27	PUMP CYLINDER (SMALL)
28	3000LJ.P28	PUMP SPRING (SMALL)
29	3000LJ.P29	O-RING (10.2x2.65)
30	3000LJ.P30	CIRCLIP (15x10.6x1.25)
31	3000LJ.P31	PUMP CORE (SMALL)
32	3000LJ.P32	SPRING COVER PLATE
33	3000LJ.P33	RETAINING RING
34	SB-6.0	STEEL BALL 6.0mm
35	3000LJ.P35	DISCHARGE VALVE ASS'Y
36	3000LJ.P36	O-RING (46.5x2.4)
37	3000LJ.P37	PUMP INNER (SMALL)

NOTE: It is our policy to continually improve products and as such we reserve the right to alter data, specifications and component parts without prior notice.

IMPORTANT: No liability is accepted for incorrect use of product.

WARRANTY: Guarantee is 12 months from purchase date, proof of which will be required for any claim.