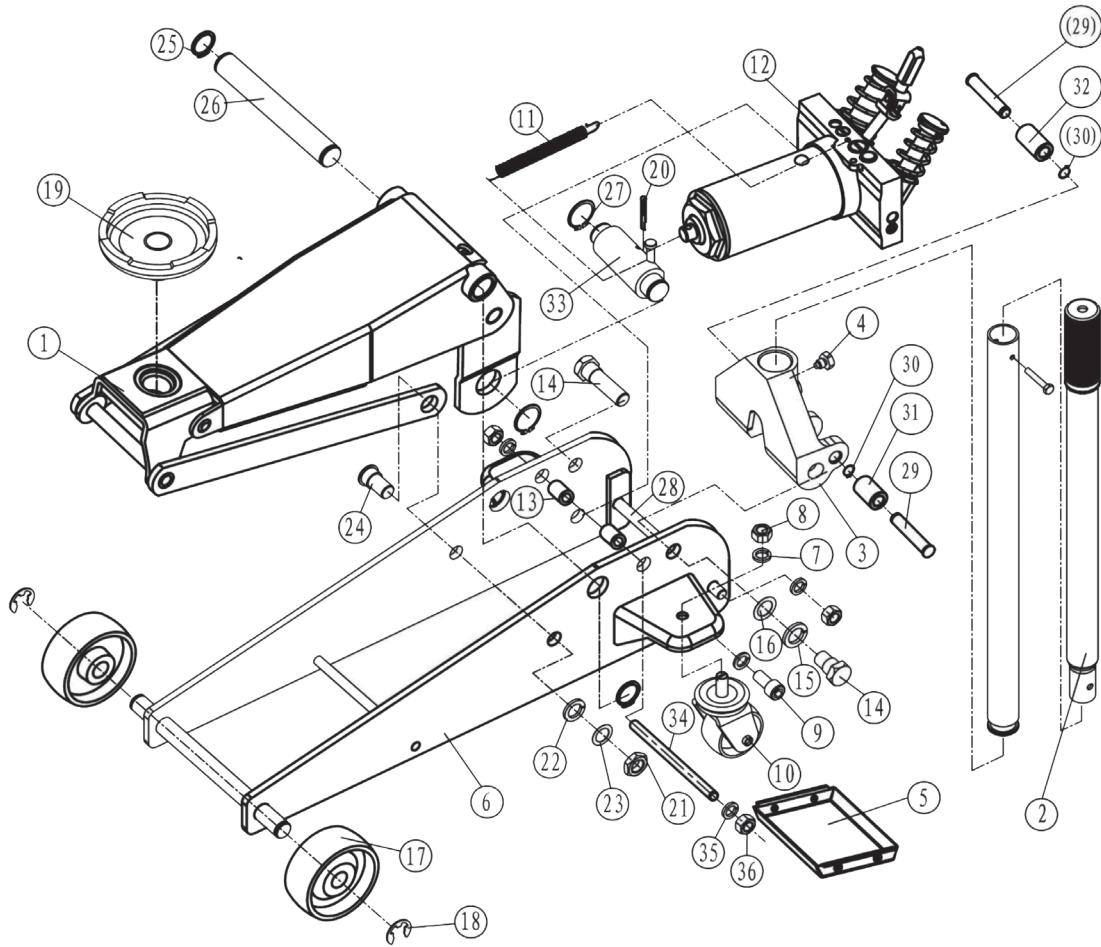


Parts Information:  
**Trolley Jack 3tonne Super Rocket Lift  
 Professional**  
**Model No: 3012CXD.V2**



Item	Part No.	Description
1	3012CXD.01	LIFTING ARM ASS'Y
2	3012CXD.02	HANDLE ASS'Y
3	3012CXDV2.03	HANDLE SOCKET (BLACK)
4	3012CXD.04	HANDLE SCREW
5	3012CXDV2.05	COVER PLATE (BLACK)
6	3012CXD.06	FRAME ASSEMBLY
7	FWM12.SB	FLAT WASHER M12 BLACK (SINGLE)
8	SN12.S	STEEL NUT M12 ZINC DIN934(SINGLE)
9	3012CXD.09	SCREW (M12x25)
10	3012CXDV2.10	CASTOR ASS'Y 60mm dia (BLACK)
11	3012CXD.11	RETURN SPRING
12	3012CXD.12	HYDRAULIC UNIT (SO)
13	3012CXD.13	SLEEVE
14	3012CXD.14	BOLT, LEFT M18X25
15	3012CXD.15	SEAL WASHER (M18)
16	SWM18.SB	SPRING WASHER M18 BLACK(SINGLE)
17	3012CXDV2.17	WHEEL,FRONT FIXED (95x19x50) (BLACK)
18	3012CXD.18	E-CLIP

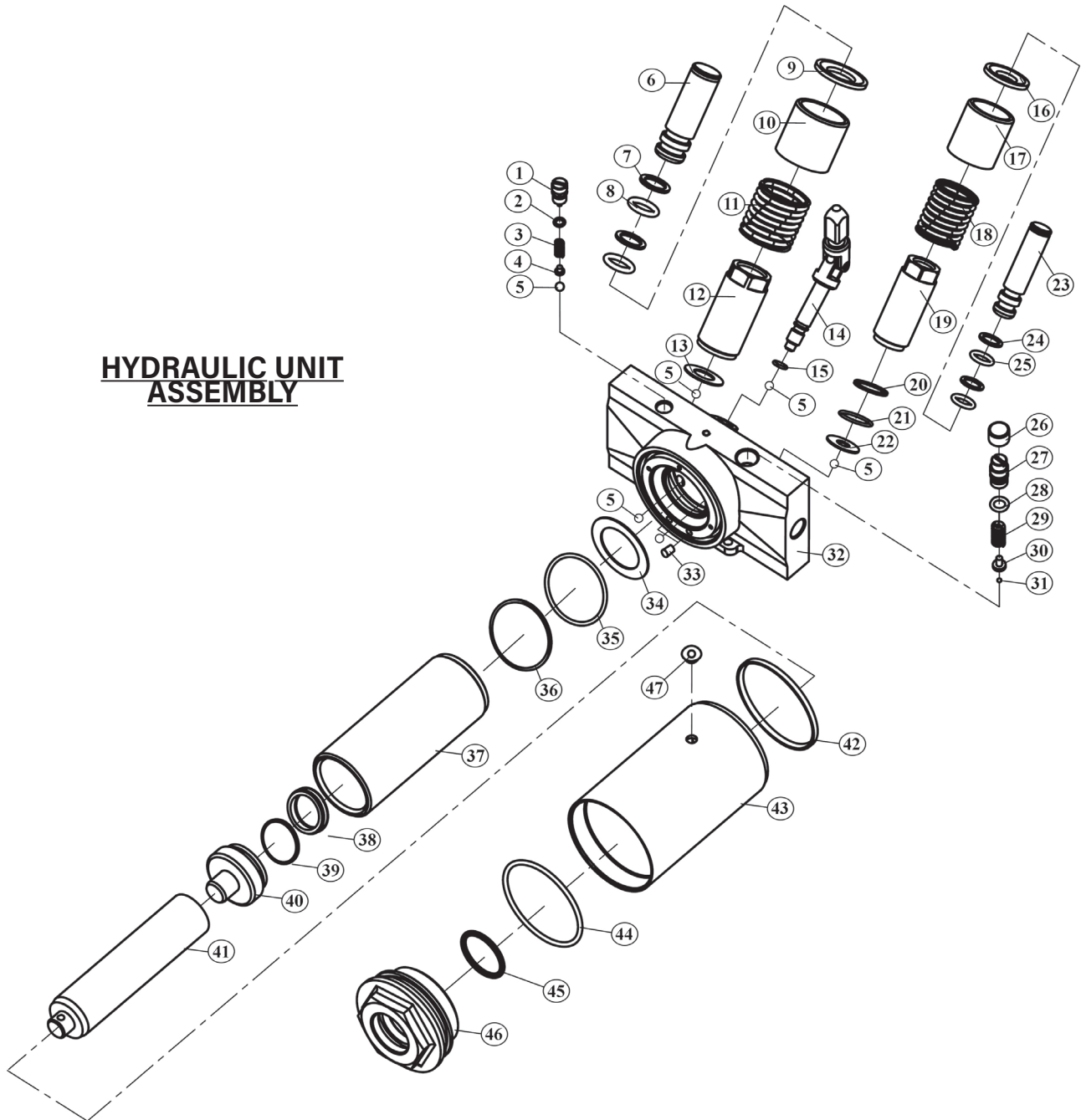
Item	Part No.	Description
19	3012CXD.19	SADDLE ASSEMBLY
20	3012CXD.20	COTTER PIN (4x40)
21	3012CXD.21	WASHER (M16)
22	SN16.S	STEEL NUT M16 ZINC DIN934(SINGLE)
23	3012CXD.23	WASHER FOR LINKING BOLT
24	3012CXD.24	LINKING BOLT
25	2500LE.19	RETAINING RING 25
26	3012CXD.26	SUPPORT SHAFT
27	3012CXD.27	RETAINING RING
28	3012CXD.28	SUPPORT SHAFT
29	3012CXD.29	BOLT, RIGHT M12X65
30	3012CXD.30	WASHER (M12)
31	3012CXD.31	HANDLE SOCKET PIN (SHORT)
32	3012CXD.32	HANDLE SOCKET PIN (LONG)
33	3012CXD.33	CONNECTING ROD
34	3012CXD.34	HANDLE SOCKET ROD
35	3012CXD.35	WASHER (M10)
36	SN10.S	STEEL NUT M10 ZINC DIN934(SINGLE)

**NOTE:** It is our policy to continually improve products and as such we reserve the right to alter data, specifications and component parts without prior notice.

**IMPORTANT:** No liability is accepted for incorrect use of product.

**WARRANTY:** Guarantee is 12 months from purchase date, proof of which will be required for any claim.

**HYDRAULIC UNIT  
 ASSEMBLY**



**NOTE:** It is our policy to continually improve products and as such we reserve the right to alter data, specifications and component parts without prior notice.

**IMPORTANT:** No liability is accepted for incorrect use of product.

**WARRANTY:** Guarantee is 12 months from purchase date, proof of which will be required for any claim.



Parts Information:  
**Trolley Jack 3tonne Super Rocket Lift  
Professional**  
**Model No: 3012CXD.V2**

Item	Part No.	Description
1	3012CXDV2-P01	PLUG SCREW
2	3012CXDV2-P02	O-RING
3	3012CXDV2-P03	SPRING
4	3012CXDV2-P04	SPRING BASE
5	3012CXDV2-P05	BALL 6mm
6	3012CXDV2-P06	BIG PLUNGER
7	3012CXDV2-P07	SPLIT WASHER
8	3012CXDV2-P08	O-RING
9	3012CXDV2-P09	SPRING BASE
10	3012CXDV2-P10	SPRING BARREL
11	3012CXDV2-P11	SPRING
12	3012CXDV2-P12	PUMP CYLINDER
13	3012CXDV2-P13	RECTANGULAR RING
14	3012CXDV2-P14	UNIVERSAL JOINT SHAFT
15	3012CXDV2-P15	O-RING
16	3012CXDV2-P16	SPRING BASE
17	3012CXDV2-P17	SPRING BARREL
18	3012CXDV2-P18	SPRING
19	3012CXDV2-P19	PUMP CYLINDER
20	3012CXDV2-P20	BACK-UP RING
21	3012CXDV2-P21	O-RING
22	3012CXDV2-P22	RECTANGULAR RING
23	3012CXDV2-P23	SMALL PLUNGER
24	3012CXDV2-P24	BACK-UP RING

Item	Part No.	Description
25	3012CXDV2-P25	O-RING
26	3012CXDV2-P26	CAP
27	3012CXDV2-P27	PLUG SCREW
28	3012CXDV2-P28	O-RING
29	3012CXDV2-P29	SPRING
30	3012CXDV2-P30	SPRING BASE
31	3012CXDV2-P31	BALL 3mm
32	3012CXDV2-P32	BASE PLATE
33	3012CXDV2-P33	OIL FILLER PIPE
34	3012CXDV2-P34	COPPER WASHER
35	3012CXDV2-P35	O-RING
36	3012CXDV2-P36	BACK-UP RING
37	3012CXDV2-P37	CYLINDER
38	3012CXDV2-P38	Y-RING
39	3012CXDV2-P39	BACK-UP RING
40	3012CXDV2-P40	PISTON
41	3012CXDV2-P41	ROD
42	3012CXDV2-P42	T-WASHER
43	3012CXDV2-P43	RESERVOIR
44	3012CXDV2-P44	O-RING
45	3012CXDV2-P45	O-RING
46	3012CXDV2-P46	TOP CUP
47	3012CXDV2-P47	OIL PLUG

**NOTE:** It is our policy to continually improve products and as such we reserve the right to alter data, specifications and component parts without prior notice.

**IMPORTANT:** No liability is accepted for incorrect use of product.

**WARRANTY:** Guarantee is 12 months from purchase date, proof of which will be required for any claim.

**Sealey Group**, Kempson Way, Suffolk Business Park, Bury St Edmunds, Suffolk. IP32 7AR



01284 757500



01284 703534



sales@sealey.co.uk



www.sealey.co.uk