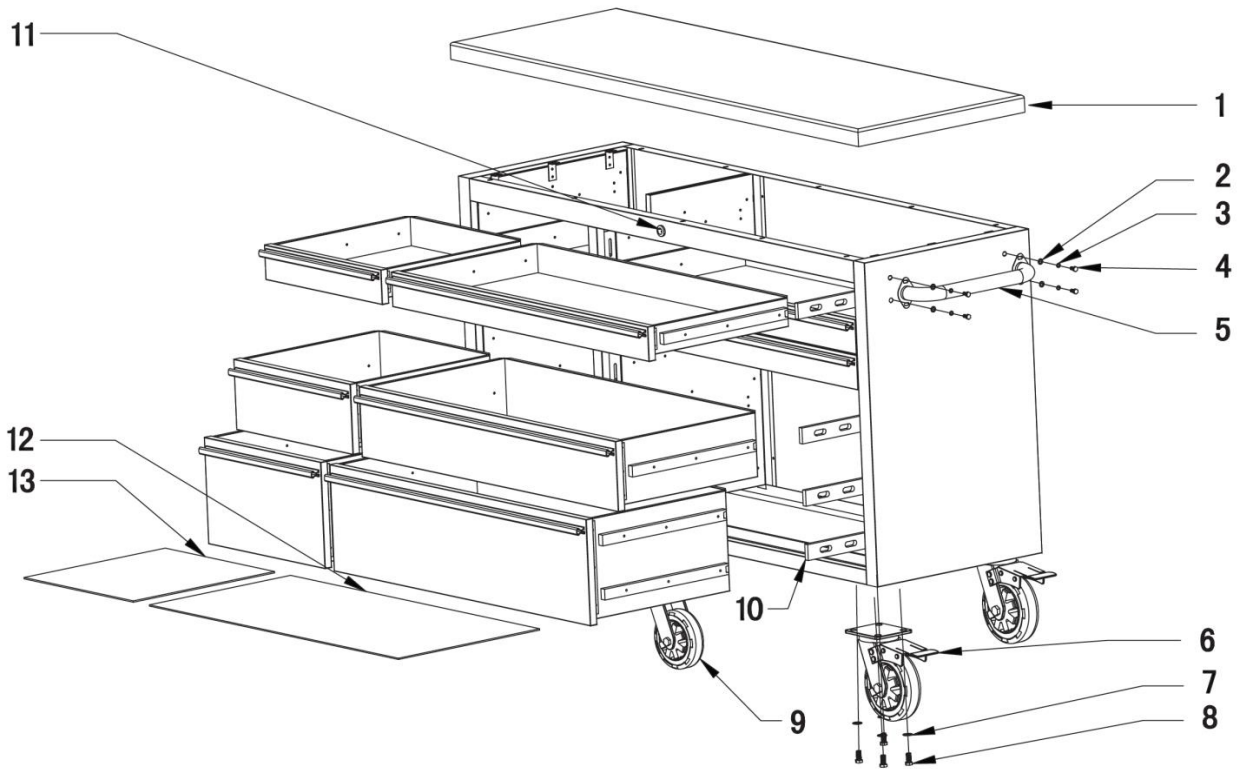




Parts Information:
**Mobile Stainless Steel Tool Cabinet 10
 Drawer**
Model No: AP5510SS



Item	Part No.	Description
1	AP5520SS.01	WOODEN TOP
2	AP5510SS.02	FLAT WASHER
3	AP5510SS.03	SPRING WASHER
4	AP5510SS.04	HEX BOLT 1/4"x12mm
5	AP7210SS.02	CABINET HANDLE
6	AP7210SS.04	WHEEL,SWIVEL CASTOR (W/BRAKE)
7	AP5510SS.07	WASHER

Item	Part No.	Description
8	SFS1025.S	HEX HEAD FLANGE BOLT M10x25 SINGLE
9	AP7210SS.05	WHEEL, FIXED CASTOR (151x14x40x194)
10	AP7210SS.10	BEARING SLIDE
11	AP5510SS.11	LOCK & KEY
12	AP7210SS.08	MIDDLE DRAWER LINER (845mm x 390mm)
13	AP7210SS.09	LEFT DRAWER LINER(375mm X 390mm)

NOTE: It is our policy to continually improve products and as such we reserve the right to alter data, specifications and component parts without prior notice.

IMPORTANT: No liability is accepted for incorrect use of product.

WARRANTY: Guarantee is 12 months from purchase date, proof of which will be required for any claim.

Sealey Group, Kempson Way, Suffolk Business Park, Bury St Edmunds, Suffolk. IP32 7AR



01284 757500



01284 703534



sales@sealey.co.uk



www.sealey.co.uk