

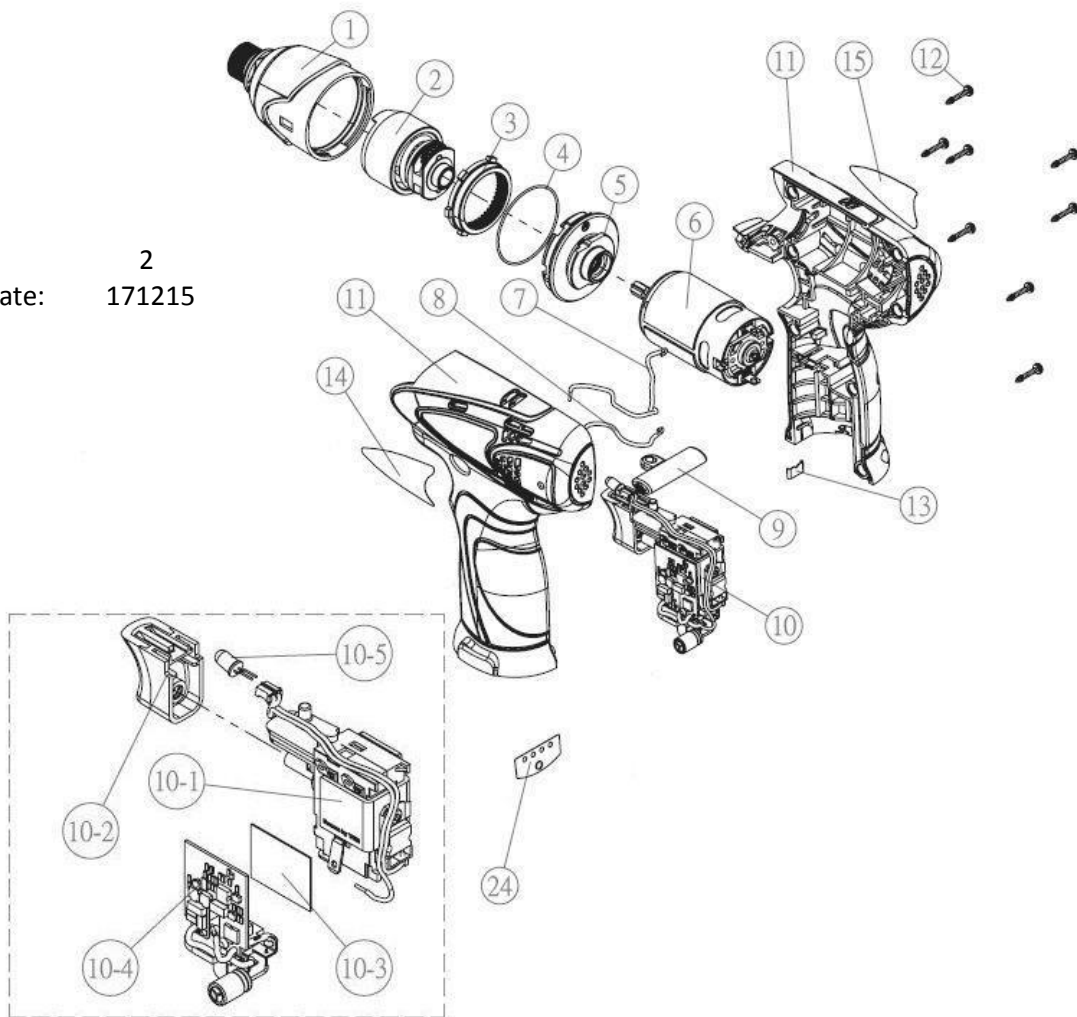


**PARTS FOR:**

IMPACT DRIVER ¼" HEX DRIVE 140Nm 4-POLE  
MOTOR – BODY ONLY

**MODEL : CP6013**

Issue: 2  
Issue Date: 171215



ITEM	PART NO	DESCRIPTION
1	CP6003.01	FRONT IMPACT & FRONT COVER ASS'Y
2	CP6003.02	REAR IMPACT ASS'Y
3	CP6003.03	GEAR RING
4	CP6003.04	O-RING
5	CP6003.05	MOTOR BLOCK ASS'Y
6	CP6003.06	MOTOR ASS'Y
7	CP6003.07	MOTOR WIRE
8	CP6003.08	MOTOR WIRE
9	CP6003.09	FORWARD/REVERSE ROD
10	CP6003.10	SWITCH ASS'Y
10-1	CP6003.10-1	SWITCH

ITEM	PART NO	DESCRIPTION
10-2	CP6003.10-2	TRIGGER
10-3	CP6003.10-3	THERMAL CONDUCTIVE PAD
10-4	CP6003.10-4	PCB ASS'Y
10-5	CP6003.10-5	LED
11	CP6003.11	HOUSING COMPLETE
12	CP6003.12	SCREW
13	CP6003.13	FIXING PLATE
14	CP6003.14	HOUSING LABEL (LEFT SIDE)
15	CP6003.15	HOUSING LABEL (RIGHT SIDE)
24	CP6003.24	BATTERY INDICATOR LABEL



Sole Uk Distributor  
Sealey Group, Kempson Way,  
Suffolk Business Park,  
Bury St Edmunds, Suffolk. IP32 7AR

01284 757500  
01284 703534

www.sealey.co.uk  
sales@sealey.co.uk