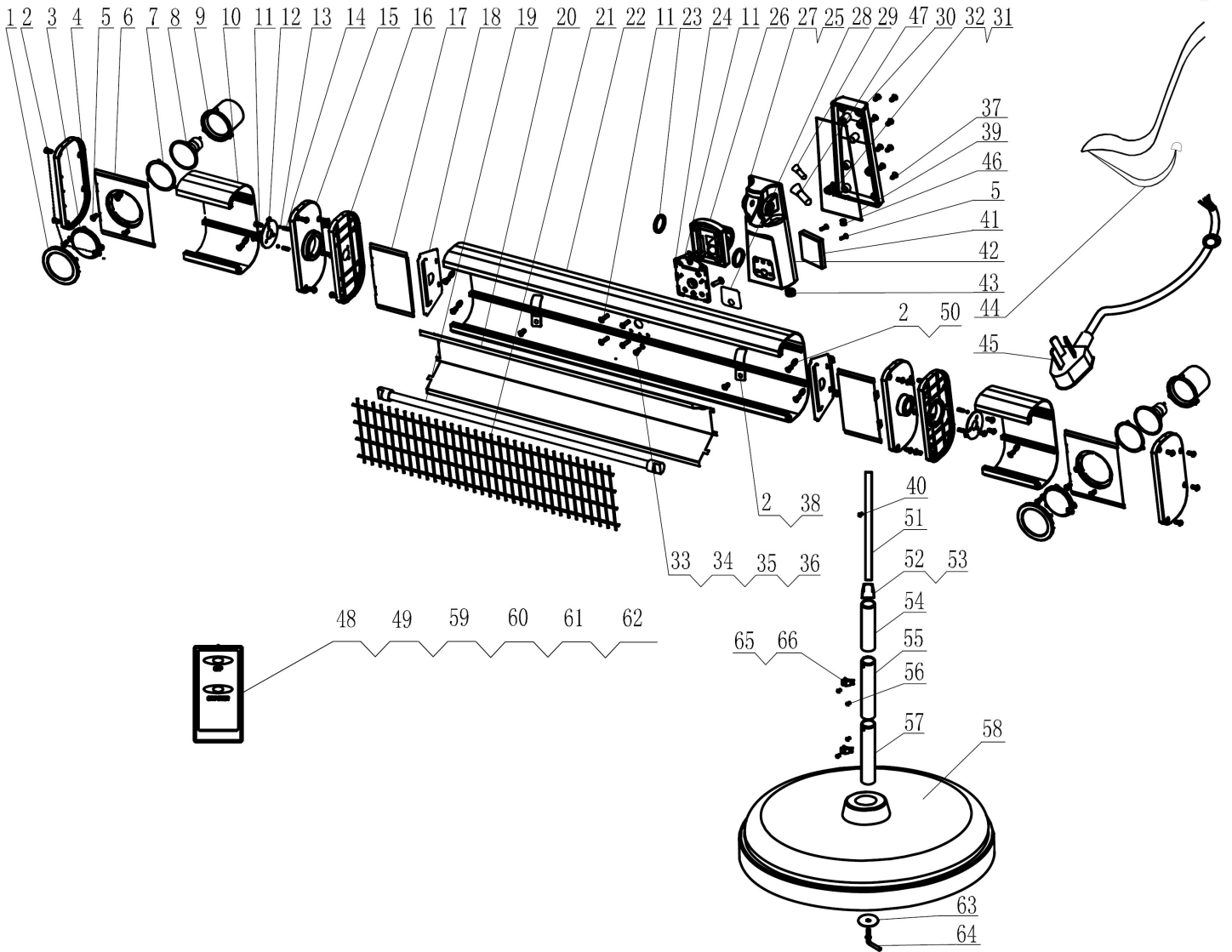




Parts Information:
High Efficiency Carbon Fibre Infrared Patio Heater 1800W/230V with LED Lights & Telescopic Floor Stand
Model No: IFSH1809LR



NOTE: It is our policy to continually improve products and as such we reserve the right to alter data, specifications and component parts without prior notice.

IMPORTANT: No liability is accepted for incorrect use of product.

WARRANTY: Guarantee is 12 months from purchase date, proof of which will be required for any claim.

Sealey Group, Kempson Way, Suffolk Business Park, Bury St Edmunds, Suffolk. IP32 7AR



01284 757500



01284 703534



sales@sealey.co.uk



www.sealey.co.uk



Parts Information:
**High Efficiency Carbon Fibre Infrared Patio
Heater 1800W/230V with LED Lights &
Telescopic Floor Stand**
Model No: IFSH1809LR

Item	Part No.	Description
1	IFSH1809LR.01	LED DECO. RING
2	IWMH1809R.01	RD HEAD S/T SCREW(SEcurity)M3X10
3	IFSH1809LR.03	LENS
4	IWMH1809R.02	SIDE COVER
5	IWMH1809R.27	RD HEAD S/T SCREW M3X8
6	IFSH1809LR.06	LED PANEL
7	IFSH1809LR.07	LED SEAL RING
8	IFSH1809LR.08	LED ASSEMBLY
9	IFSH1809LR.09	LED BRACKET
10	IFSH1809LR.10	LED HOUSING
11	IWMH1809R.42	RD HEAD S/T SCREW M3.8 X 10
12	IFSH1809LR.12	DISC
13	SB-3.2	STEEL BALL 3.2mm
14	IFSH1809LR.14	SPRING
15	IFSH1809LR.15	LED HINGE (A)
16	IFSH1809LR.16	LED HINGE (B)
17	IWMH1809R.03	HEATER PANEL
18	IWMH1809R.04	REFLECTOR BRACKET
19	IWMH1809R.05	HEATING ELEMENT (CARBON FIBRE 230V/1800W
20	IWMH1809R.06	REFLECTOR
21	IWMH1809R.07	GUARD
22	IWMH1809R.08	HEATER HOUSING
23	IWMH1809R.10	HINGE SEAL RING
24	IWMH1809R.11	HINGE COVER
25	IWMH1809R.14	HALF NUT M8
26	IWMH1809R.12	HINGE
27	MSP840.S	MACHINE SCREW PAN HEAD PHILLIPS M8x40mm
28	IFSH1809LR.28	PVC STICKER
29	IWMH1809R.16	CONNECTOR CAP
30	IWMH1809R.17	CONTROL BOX COVER
31	IWMH1809R.20	CORD CLAMP
32	IWMH1809R.42	RD HEAD S/T SCREW M3.8 X 10
33	TS10SEW.121	M4 EXT TOOTH WASHER ZINC

Item	Part No.	Description
34	IWMH1809R.35	SCREW M4*10
35	SWM4.S	SPRING WASHER M4 (SINGLE)
36	SN4.S	STEEL NUT M4 ZINC DIN934 (SINGLE)
37	IWMH1809R.24	RD HEAD S/T SCREW M4X14(SEcurity)
38	IWMH1809R.21	INTERNAL WIRES CLIP
39	IWMH1809R.26	SEAL RING
40	MSP615.S	MACHINE SCREW PAN HEAD PHILLIPS M6x15mm
41	IWMH1809R.28	RC RECEIVER PCB
42	IWMH1809R.29	CONTROL BOX
43	IWMH1809R.30	CORD BUSH
44	IWMH1809R.31	INTERNAL WIRES ASSEMBLY
45	MC3CX1.0R	MAINS CABLE BLK, 3 CORE, (RUBBER) 1.0MM2
46	IWMH1809R.44	PLASTIC PLUG
47	IWMH1809R.43	CONNECTOR CAP
48	IFSH1809LR.48	RC PVC STICKER
49	IWMH1809R.45	RC UPPER HOUSING
50	IWMH1809R.41	M3 EXT TOOTH WASHER BLACK
51	IFSH1809LR.54	UPPER TUBE ASS'Y(INCLUDES PART 51)
52	IFSH1809LR.52	INNER FASTENER
53	IFSH1809LR.53	OUTER FASTENER
54	IFSH1809LR.54	UPPER TUBE ASS'Y(INCLUDES PART 51)
55	IFSH1809LR.55	MIDDLE TUBE
56	IFSH1809LR.56	SCREW (M6*8)
57	IFSH1809LR.57	LOWER TUBE
58	IFSH1809LR.58	BASE
59	IWMH1809R.46	RC LOWER HOUSING
60	IWMH1809R.47	BATTERY COVER
61	IWMH1809R.48	RC PCB
62	IWMH1809R.49	RD HEAD S/T SCREW M3X6
63	IFSH1809LR.63	WASHER
64	IFSH1809LR.64	L SCREW
65	IFSH1809LR.65	CORD CLIP
66	IFSH1809LR.66	SCREW (M4*8)

NOTE: It is our policy to continually improve products and as such we reserve the right to alter data, specifications and component parts without prior notice.

IMPORTANT: No liability is accepted for incorrect use of product.

WARRANTY: Guarantee is 12 months from purchase date, proof of which will be required for any claim.

Sealey Group, Kempson Way, Suffolk Business Park, Bury St Edmunds, Suffolk. IP32 7AR



01284 757500



01284 703534



sales@sealey.co.uk



www.sealey.co.uk