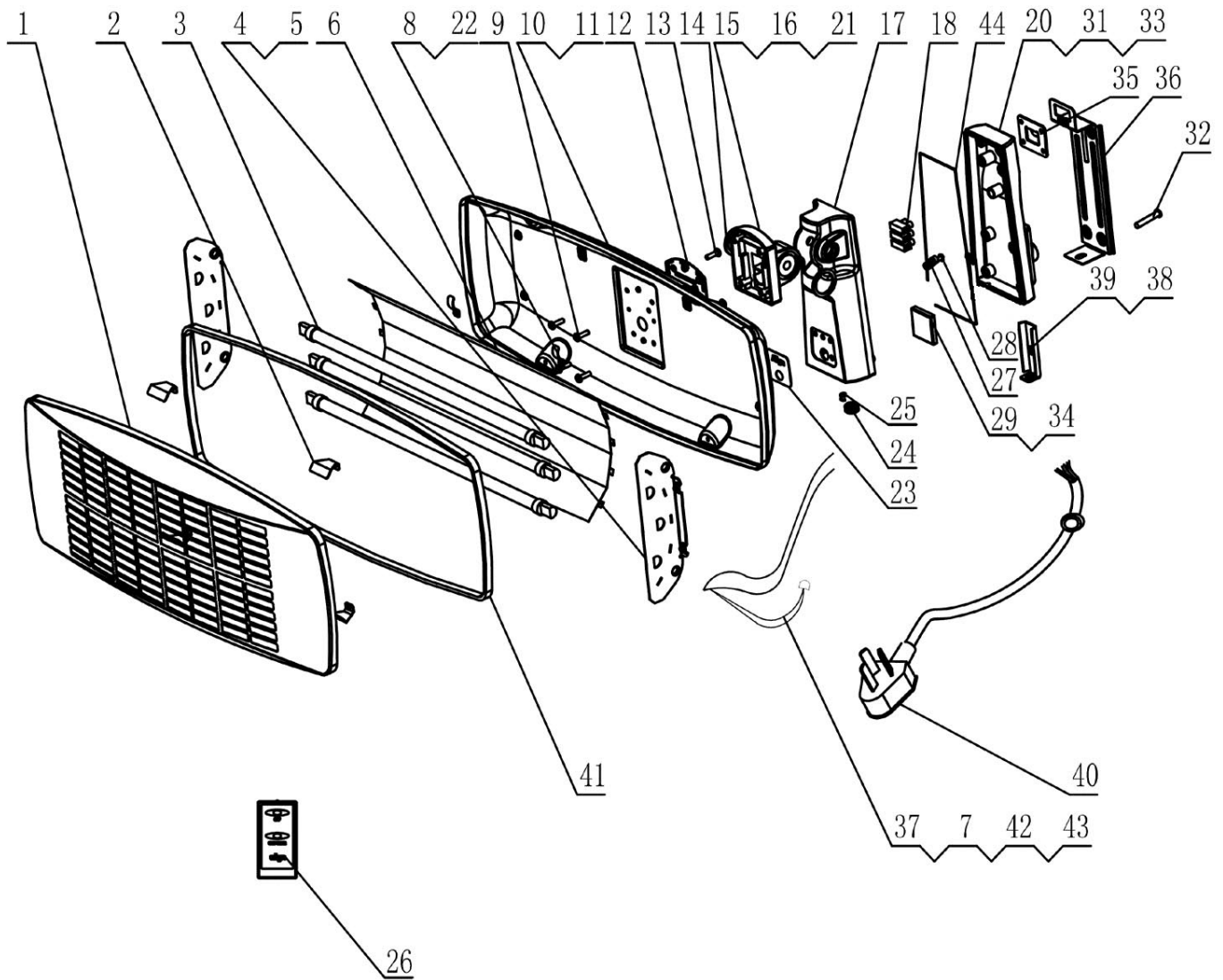




Parts Information:
Infrared Quartz Heater - Wall Mounting
Remote Control 2000W/230V
Model No: IWMH2003RC.V2



NOTE: It is our policy to continually improve products and as such we reserve the right to alter data, specifications and component parts without prior notice.

IMPORTANT: No liability is accepted for incorrect use of product.

WARRANTY: Guarantee is 12 months from purchase date, proof of which will be required for any claim.

Sealey Group, Kempson Way, Suffolk Business Park, Bury St Edmunds, Suffolk. IP32 7AR



01284 757500



01284 703534



sales@sealey.co.uk



www.sealey.co.uk



Parts Information:
Infrared Quartz Heater - Wall Mounting
Remote Control 2000W/230V
Model No: IWMH2003RC.V2

1	IWMH2003.01	FRONT HOUSING
2	IWMH2003.02	FRONT HOUSING CLIP
3	IWMH2003.03	HEATING ELEMENT 220-240V, 550-650W IR
4	IWMH2003.04	SCREW
5	IWMH2003.05	REFLECTOR BRACKET
6	IWMH2003.06	REFLECTOR
8	SN4.S	STEEL NUT M4 ZINC DIN934 (SINGLE)
9	IWMH2003.08	INTERNAL WIRE CLAMP
10	IWMH2003.10	RD HEAD S/T SCREW M3X10(SEcurity)
11	IWMH2003.11	REAR HOUSING
12	IWMH2003.12	HINGE COVER
13	IWMH2003.13	RD HEAD S/T SCREW M3.9 X 10
14	IWMH2003.14	HINGE SEAL
15	IWMH2003.15	HINGE
16	MSP838.S	MACHINE SCREW PAN HEAD PHILLIPS M8x38mm
17	IWMH2003.17	CONTROL BOX
18	IWMH2003.18	TERMINAL BLOCK
20	IWMH2003.20	CONTROL BOX COVER
21	IWMH2003.21	NUT
22	IWMH2003.22	SCREW (OK)
23	IWMH2003.23	STICKER
24	IWMH2003.24	CORD BUSH
25	IWMH2003.25	STRING BUSH

Item	Part No.	Description
26	IWMH2003RC.2	6 REMOTE CONTROL
27	IWMH2003.27	CORD CLAMP
28	IWMH2003.28	RD HEAD S/T SCREW M3.8 X 12
29	IWMH2003RC.29	REMOTE CONTROL RECEIVER
--	IWMH2003.29	SWITCH WITH BRACKET (NOT SHOWN)
31	IWMH2003.31	RD HEAD S/T SCREW M3.8 X 28
32	MSP615.S	MACHINE SCREW PAN HEAD PHILLIPS M6x15mm
33	IWMH2003.33	RD HEAD S/T SCREW M3.9 X 10 SECURITY
34	IWMH2003RC.34	SCREW
35	IWMH2003.35	HOOK
36	IWMH2003.36	WALL MOUNTING BRACKET
37	IWMH2003.37	INTERNAL WIRE ASS'Y
38	IWMH2003.38	SCREW
39	IWMH2003.39	BOARD
40	IWMH2003.40	POWER CORD
41	IWMH2003.41	SEAL RING
42	MSP410.S	MACHINE SCREW PAN HEAD PHILLIPS M4x10mm
43	TS10SEW.121	M4 EXT TOOTH WASHER ZINC
44	IWMH2003.44	CONTROL BOX SEAL RING
--	IWMH2003.45	SI-RUBBER TUBE (NOT SHOWN)

NOTE: It is our policy to continually improve products and as such we reserve the right to alter data, specifications and component parts without prior notice.

IMPORTANT: No liability is accepted for incorrect use of product.

WARRANTY: Guarantee is 12 months from purchase date, proof of which will be required for any claim.

Sealey Group, Kempson Way, Suffolk Business Park, Bury St Edmunds, Suffolk. IP32 7AR



01284 757500



01284 703534



sales@sealey.co.uk



www.sealey.co.uk