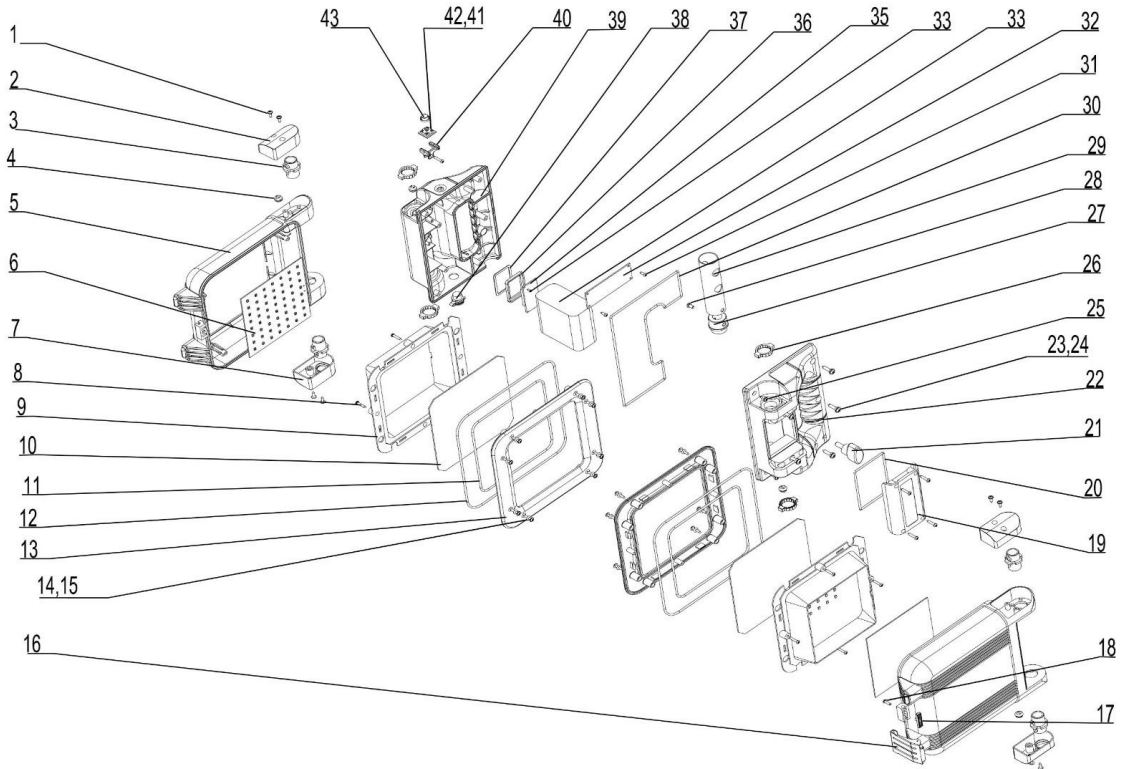




Parts Information:  
**Rechargeable Floodlight 20W SMD LED**  
**Folding Case**  
**Model No: LED190T**



Item	Part No.	Description
1	LED190T.01	SCREW ST2.9x12mm
2	LED190T.02	ROTATING SHAFT, LEFT COVER
3	LED190T.03	ROTATING SHAFT
4	LED190T.04	PROTECT RING
5	LED190T.05	LAMP BODY
6	LED190T.06	LAMP BOARD
7	LED190T.07	ROTATING SHAFT, RIGHT COVER
8	LED190T.08	SCREW ST2.9x15mm
9	LED190T.09	REFLECTOR COVER
10	LED190T.10	GLASS(PLASTIC)
11	LED190T.11	SEALING (FOR I/S)
12	LED190T.12	SEALING (FOR O/S)
13	LED190T.13	FRAME COVER (BLACK)
14	LED190T.14	SCREW ST2.9x15mm
15	LED190T.15	O-RING
16	LED191T.15	STAINLESS STEEL BUCKLE
17	LED190T.17	BUCKLE PRESS PLATE
18	LED190T.18	SCREW ST2.9x10mm
19	LED190T.19	BATTERY COVER
20	LED190T.20	SEAL RING
21	LED190T.21	STRAIGHT HAND SHANK SCREW M6x16mm
22	LED190T.22	HANDLE (RIGHT)

Item	Part No.	Description
23	LED190T.23	SCREW ST4.2x18mm
24	LED190T.24	O-RING
25	LED190T.25	SCREW ST2.9x10mm
26	LED190T.26	GEAR RING
27	LED190T.27	ALUMINIUM PIPE CONNECTOR
28	LED190T.28	SCREW M4x6mm
29	LED190T.29	ALUMINIUM TUBE
30	LED190T.30	HANDLE SEALING RING
31	LED190T.31	SCREW ST3x8mm
32	LED190T.32	PCB
33	LED191T.30	LITHIUM BATTERY 7.4V 8800AH
34	LED190T.34	SCREW ST2.2x6mm
35	LED190T.35	BATTERY DISPLAY
36	LED190T.36	BATTERY DISPLAY COVER
37	LED190T.37	BATTERY DISPLAY SEAL RING
38	LED190T.38	PROTECTION
39	LED190T.39	HANDLE (LEFT)
40	LED190T.40	SWITCH BRACKET
41	LED191T.34	SWITCH BOARD ASS'Y
42	LED191T.34	SWITCH BOARD ASS'Y
43	LED190T.43	WATERPROOF CAP
--	LED191T.C	MAIN CHARGER (NOT SHOWN)

**NOTE:** It is our policy to continually improve products and as such we reserve the right to alter data, specifications and component parts without prior notice.

**IMPORTANT:** No liability is accepted for incorrect use of product.

**WARRANTY:** Guarantee is 12 months from purchase date, proof of which will be required for any claim.

**Sealey Group**, Kempson Way, Suffolk Business Park, Bury St Edmunds, Suffolk. IP32 7AR



01284 757500



01284 703534



sales@sealey.co.uk



www.sealey.co.uk