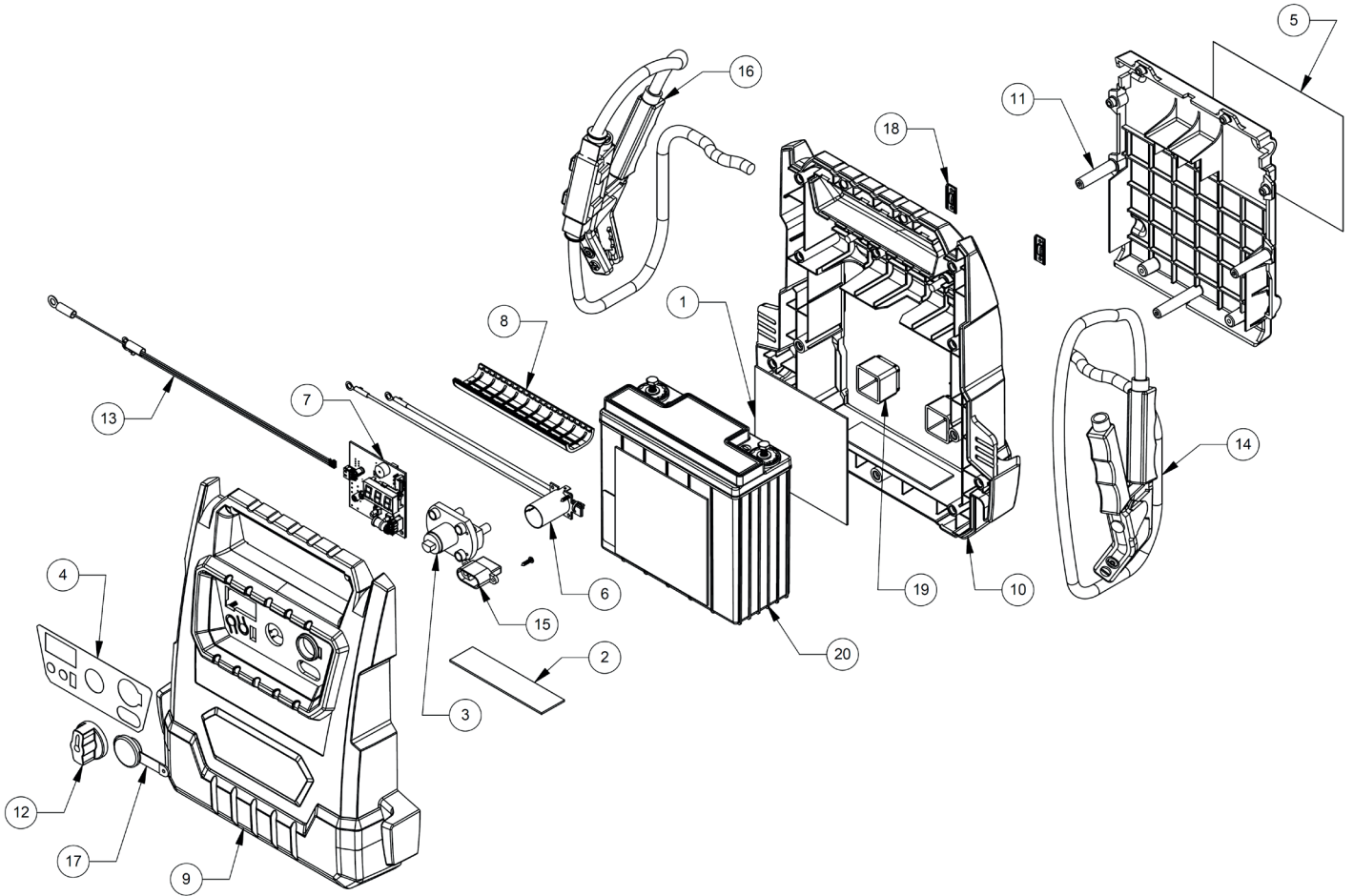




Parts Information:
RoadStart® Emergency Jump Starter 12V
1900 Peak Amps - DEKRA Approved
Model No: PBI2212GS



Item	Part No.	Description
1	PBI2212GS.01	TAPE (120x120x2mm)
2	PBI2212GS.02	TAPE (120x30x2mm)
3	PBI2212GS.03	SWITCH ON/OFF
4	PBI2212GS.04	LABEL, FRONT (FOR PBI2212GS)
5	PBI2212GS.05	LABEL, WARNING (FOR PBI2212GS)
6	PBI4424GS.08	DC ADAPTOR ASS'Y
7	PBI2212GS.07	ASS'Y, PCB CONTROL BOARD
8	PBI4424GS.11	COVER, HANDLE INSERT
9	PBI2212GS.09	FRONT CASE (BLACK)
10	PBI2212GS.10	BACK CASE (BLACK)
11	PBI2212GS.11	BACK CASE COVER (BLACK)

Item	Part No.	Description
12	PBI2212GS.12	SWITCH KNOB
13	PBI2212GS.13	HARNES, HOUSING
14	PBI2212GS.14	CABLE & CLAMP ASS'Y (NEGATIVE)
15	PBI4424GS.16	PLUG, SAE STYLE 3-PIN
16	PBI2212GS.16	CABLE & CLAMP W/FUSE ASS'Y (POSITIVE)
17	PBI4424GS.20	DC SOCKET COVER
18	PBI4424GS.21	STRAP, STRAIN RELIEF
19	PBI2212GS.19	SUPPORT, BATTERY
20	PBI4424GS.23	BATTERY 22AH 12V-900CA
--	PBI4424GS.AC1	CHARGER PLUG 12V (not shown)

NOTE: It is our policy to continually improve products and as such we reserve the right to alter data, specifications and component parts without prior notice.

IMPORTANT: No liability is accepted for incorrect use of product.

WARRANTY: Guarantee is 12 months from purchase date, proof of which will be required for any claim.

Sealey Group, Kempson Way, Suffolk Business Park, Bury St Edmunds, Suffolk. IP32 7AR



01284 757500



01284 703534



sales@sealey.co.uk



www.sealey.co.uk