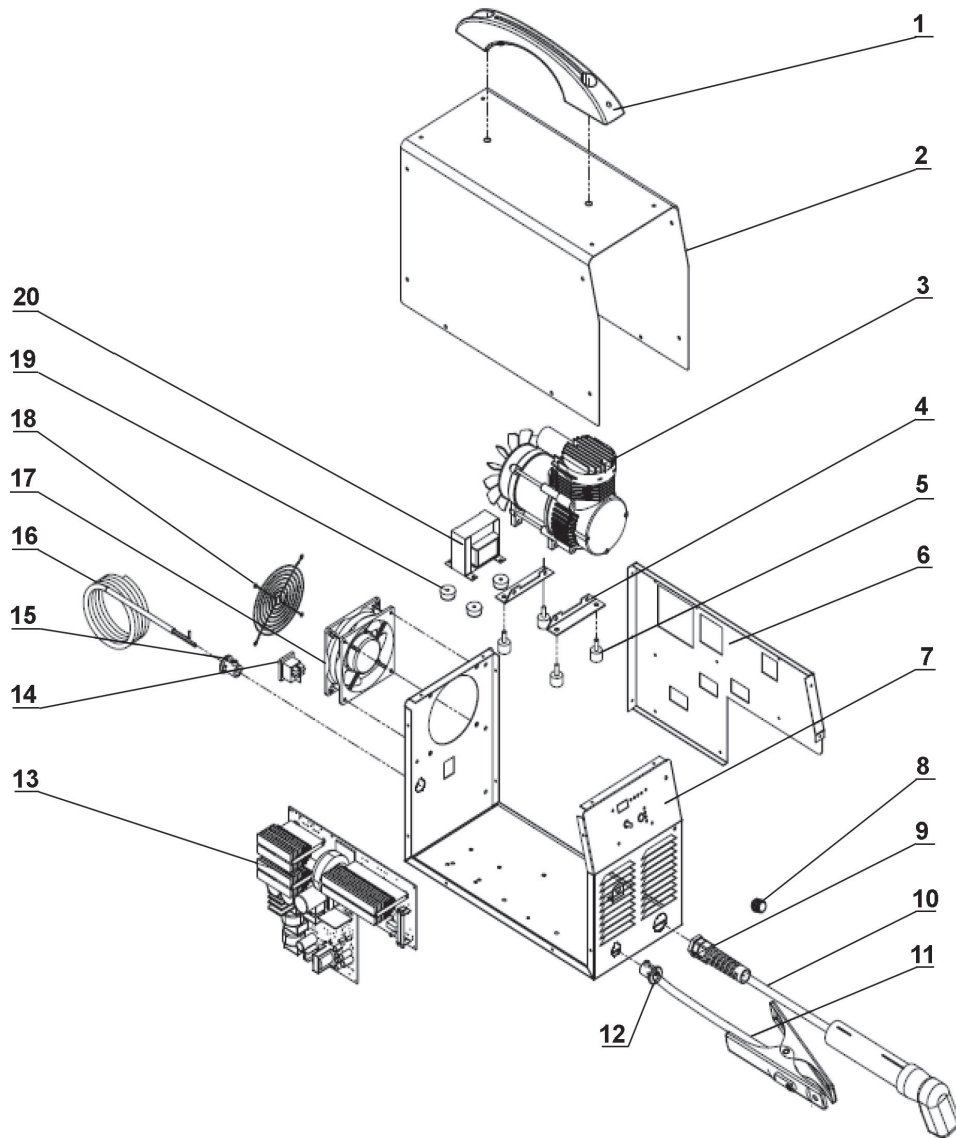


Parts Information: Plasma Inverter 40Amp with Compressor Model No: PP40PLUS



Item	Part No.	Description
1	PP40PLUS.01	Top Handle
2	PP40PLUS.02	Top Cover
3	PP40PLUS.03	Air Compressor
4	PP40PLUS.04	Support Plate for Air Compressor
5	PP40PLUS.05	Rubber Absorber
6	PP40PLUS.06	Middle Panel
7	PP40PLUS.07	Bottom Panel
8	PP40PLUS.08	Potentiometer Knob
9	PP40PLUS.09	Cable Holder for Plasma Torch
10	PP40PLUS.10	Plasma Torch 5mtr

Item	Part No.	Description
11	PP40PLUS.11	Earth Cable (c/w Clamp)
12	PP40PLUS.12	Cable Holder for Earth Clamp
13	PP40PLUS.13	Main PCB
14	PP40PLUS.14	Switch
15	PP40PLUS.15	Cable Holder for Power Cord
16	PP40PLUS.16	Power Cord
17	PP40PLUS.17	Fan
18	PP40PLUS.18	Fan Cover
19	PP40PLUS.19	Rubber Foot
20	PP40PLUS.20	Rectifier

NOTE: It is our policy to continually improve products and as such we reserve the right to alter data, specifications and component parts without prior notice.

IMPORTANT: No liability is accepted for incorrect use of product.

WARRANTY: Guarantee is 12 months from purchase date, proof of which will be required for any claim.