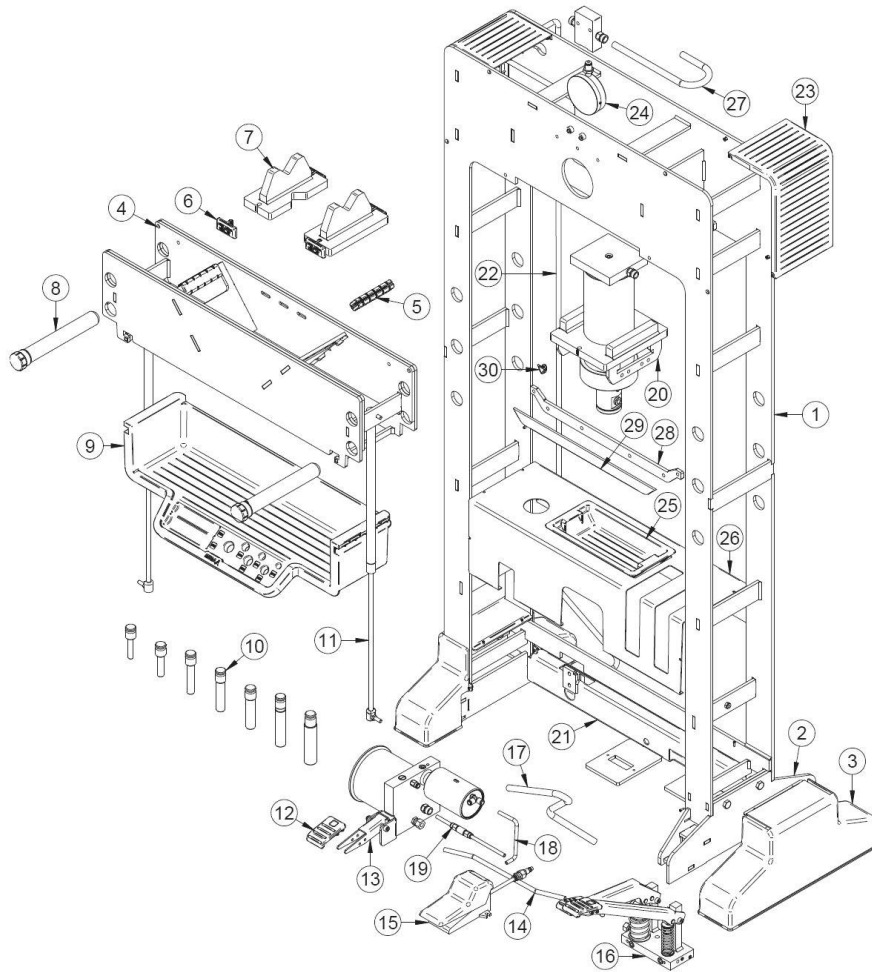


Parts Information:
**Premier Air/Hydraulic Press 30tonne Floor
 Type with Sliding Ram and Foot Pedal
 Model No: PPF301**



Item	Part No.	Description
1	M0201000008	FOOT FOR FRAME
2	M0207000009	FOOT FOR FRAME
3	PR50-2329	FOOT COVER
4	M0299000408	TABLE
5	M0299000360	TABLE GRIP (RED)
6	M0299000383	V-BLOCK END COVER (RED)
7	M0299000405	ARBOR PLATE
8	M0299000425	TABLE PIN (RED)
9	A-5610	PRESS PIN SUPPORT (RED)
10	A5600	PRESS PIN SET
11	M0499000041	TABLE STRUT
12	M0299000406	RELEASE PEDAL (RED)
13	M0299000399	AIR & HYDRAULIC PUMP
14	M0320000028	HOSE (A)
15	M0220000045	AIR PUMP PEDAL

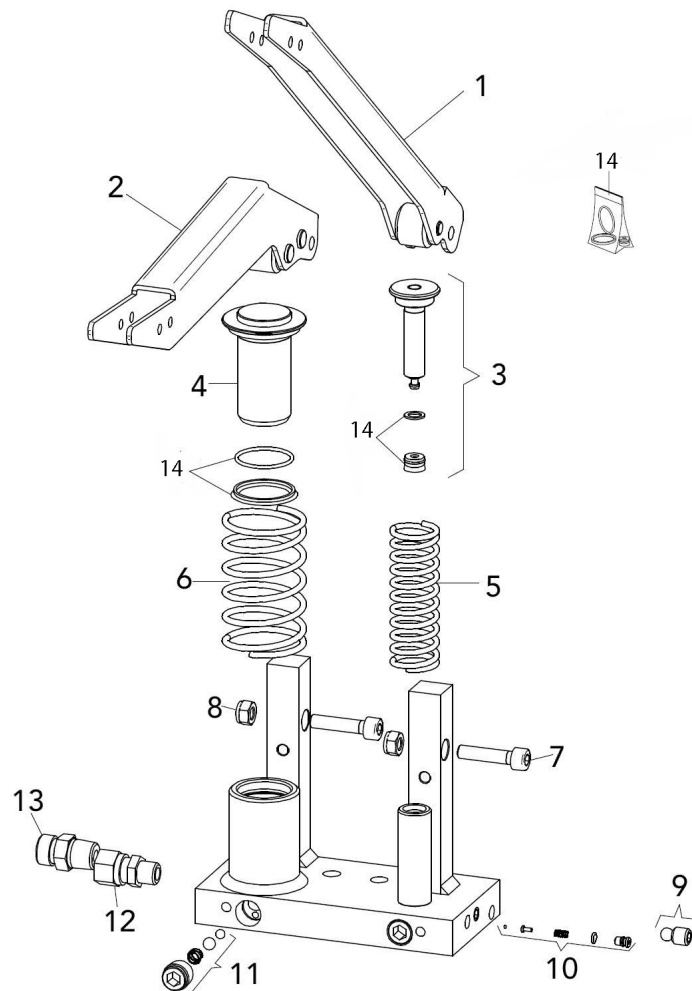
Item	Part No.	Description
16	M01090018	FOOT PUMP ASS'Y
17	M0320000034	HOSE (B)
18	M0320000030	HOSE (C)
19	M0299000539	HOSE (D)
20	M01080057	COMPLETE RAM ASS'Y
21	M0299000536	LOWER CROSS BEAM
22	M0320000031	HOSE (E)
23	M0299000407	SIDE COVER
24	M0319000034	PRESSURE GAUGE 30tonne(TOP FITTING)
25	M0316000063	BOTTOM TRAY (RED)
26	M0399000056	LOWER CROSS BEAM COVER
27	M0320000027	GAUGE HOSE
28	M0311001270	SLIDING SUPPORT BEAM (REAR)
29	M0316000235	SLIDING SUPPORT BEAM (FRONT)
30	M0316000121	CLIP

NOTE: It is our policy to continually improve products and as such we reserve the right to alter data, specifications and component parts without prior notice.

IMPORTANT: No liability is accepted for incorrect use of product.

WARRANTY: Guarantee is 12 months from purchase date, proof of which will be required for any claim.

Parts Information:
**Premier Air/Hydraulic Press 30tonne Floor
 Type with Sliding Ram and Foot Pedal
 Model No: PPF301**



Item	Part No.	Description
1	M0219000032	LOW SPEED PUMP PEDAL
2	TR300-C13	HIGH SPEED PUMP PEDAL
3	M0213000010	PLUNGER (SMALL)
4	M0307000599	PLUNGER (LARGE)
5	M0314000199	SPRING (SMALL)
6	M0314000200	SPRING (LARGE)
7	CS20A-1263	FIXING BOLT

Item	Part No.	Description
8	EF1.5-1318	LOCK NUT
9	N10-3/2264	SCREW
10	MG-2/C9	SAFETY VALVE
11	BKD-09-C10	PLUG ASS'Y
12	N203C-2052	CONNECTOR
13	KCK-15-2121	CONNECTOR
14	M0909000004	REPAIR KIT FOR FOOT PUMP ASS'Y

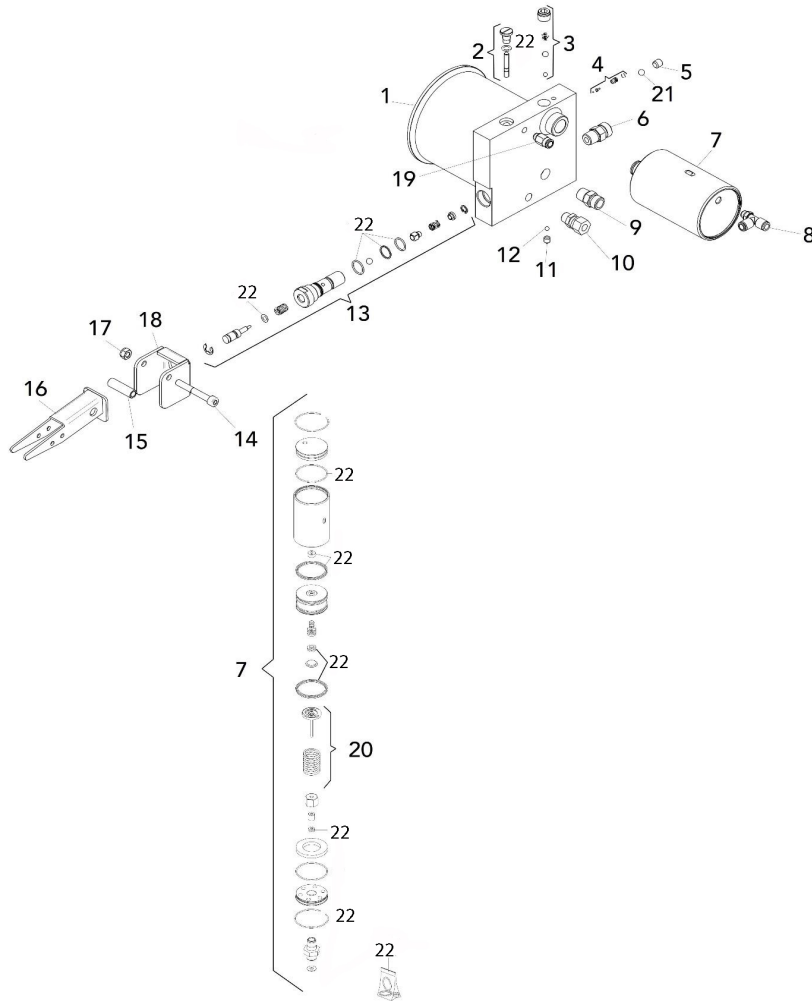
NOTE: It is our policy to continually improve products and as such we reserve the right to alter data, specifications and component parts without prior notice.

IMPORTANT: No liability is accepted for incorrect use of product.

WARRANTY: Guarantee is 12 months from purchase date, proof of which will be required for any claim.



Parts Information:
**Premier Air/Hydraulic Press 30tonne Floor
 Type with Sliding Ram and Foot Pedal
 Model No: PPF301**



Item	Part No.	Description
1	M0203000161	HYDRULIC UNIT
2	M0299000398	OIL FILLER PLUG ASS'Y
3	BKD-09-C10	PLUG ASS'Y
4	MG-2/C9	SAFETY VALVE
5	SB-8.0	STEEL BALL 8.0mm
6	M0407000016	CONNECTOR
7	MGN-20-C27	PUMP COMPLETE
8	M0407000011	T-CONNECTOR
9	KCK-15-2121	CONNECTOR
10	N20-3C-2052	CONNECTOR
11	M0401000072	PLUG

Item	Part No.	Description
12	M0409000003	STEEL BALL
13	M0212000018	RELEASE VALVE ASS'Y
14	PB300-1469	FIXING BOLT
15	M0316000149	FIXING BOLT SLEEVE
16	M0219000031	FOOT PEDAL BRACKET
17	EF1.5-1318	LOCK NUT
18	M0317000077	FOOT PEDAL BRACKET SUPPORT
19	M0407000005	CONNECTOR
20	N10-3-C8	PUMP PISTON (c/w SPRING)
21	N10-3/2264	SCREW
22	M0905000003	REPAIR KIT FOR PUMP

NOTE: It is our policy to continually improve products and as such we reserve the right to alter data, specifications and component parts without prior notice.

IMPORTANT: No liability is accepted for incorrect use of product.

WARRANTY: Guarantee is 12 months from purchase date, proof of which will be required for any claim.

Sealey Group, Kempson Way, Suffolk Business Park, Bury St Edmunds, Suffolk. IP32 7AR



01284 757500



01284 703534



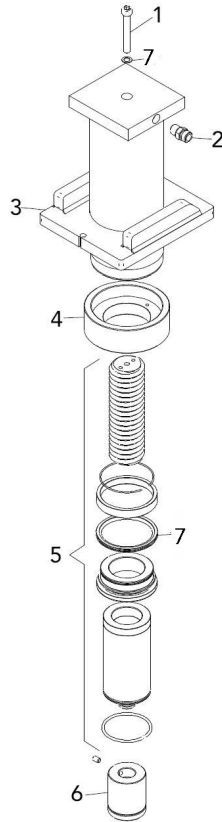
sales@sealey.co.uk



www.sealey.co.uk



Parts Information:
**Premier Air/Hydraulic Press 30tonne Floor
Type with Sliding Ram and Foot Pedal
Model No: PPF301**



Item	Part No.	Description
1	CS-100A/1383	SCREW
2	M0407000016	CONNECTOR
3	M02030000166	CYLINDER
4	M0303000153	GUIDE RING

Item	Part No.	Description
5	M0211000051	RAM
6	KCK30A-C17M	RAM HEAD
7	M0908000004	REPAIR KIT FOR RAM

NOTE: It is our policy to continually improve products and as such we reserve the right to alter data, specifications and component parts without prior notice.

IMPORTANT: No liability is accepted for incorrect use of product.

WARRANTY: Guarantee is 12 months from purchase date, proof of which will be required for any claim.

Sealey Group, Kempson Way, Suffolk Business Park, Bury St Edmunds, Suffolk. IP32 7AR



01284 757500



01284 703534



sales@sealey.co.uk



www.sealey.co.uk