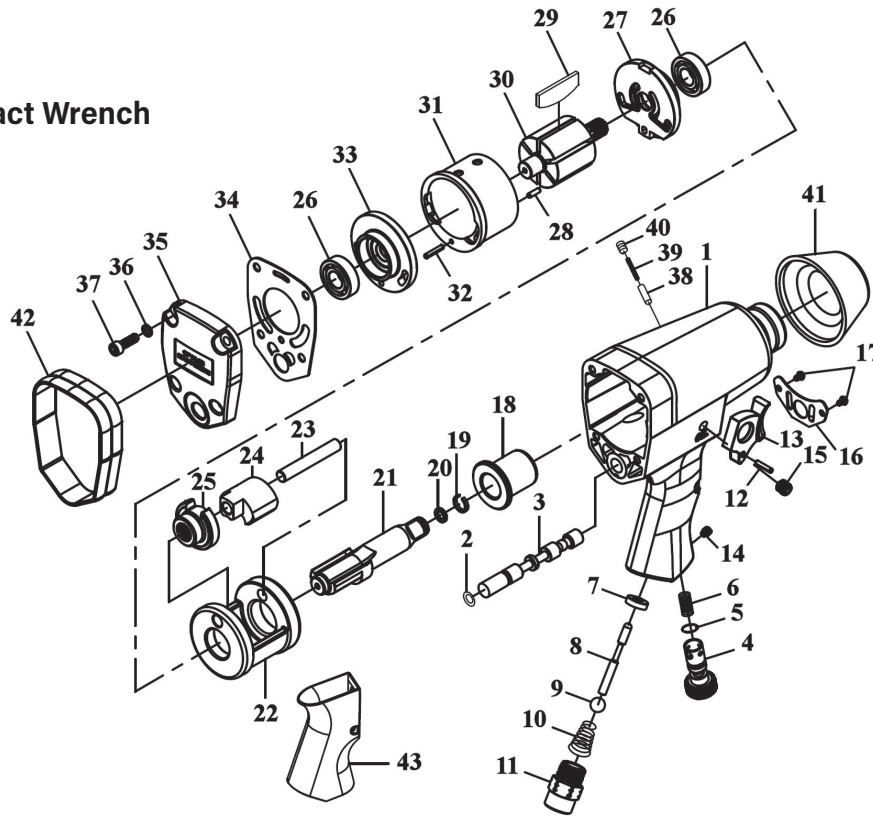


1/2"Dr Air Impact Wrench



Item	Part No.	Description
1	SA2.V2-01	HOUSING
2	SA2.V2-02	O-RING (6.4x1.9)
3	SA2.V2-03	REVERSAL REGULATOR
4	SA2.V2-04	FLOW REGULATOR
5	SA2.V2-05	O-RING (8x2)
6	SA2.V2-06	REGULATOR SPRING
7	SA2.V2-07	BUSHING
8	SA2.V2-08	PIN
9	SA2.V2-09	STEEL BALL
10	SA2.V2-10	TAPER SPRING
11	SA2.V2-11	AIR INLET CONNECTOR
12	SA2.V2-12	STRAIGHT PIN (3x14)
13	SA2.V2-13	TRIGGER
14	SA2.V2-14	SCREW M5x8mm
15	SA2.V2-15	SCREW M8x6mm
16	SA2.V2-16	DISC COVER
17	SA2.V2-17	SCREW ST3.2x6mm
18	SA2.V2-18	OIL BUSHING
19	SA2.V2-19	RETAINER
20	SA2.V2-20	O-RING (6x1.8)
21	SA2.V2-21	DRIVE SHAFT
22	SA2.V2-22	HAMMER CAGE ASS'Y (INC 19-25)

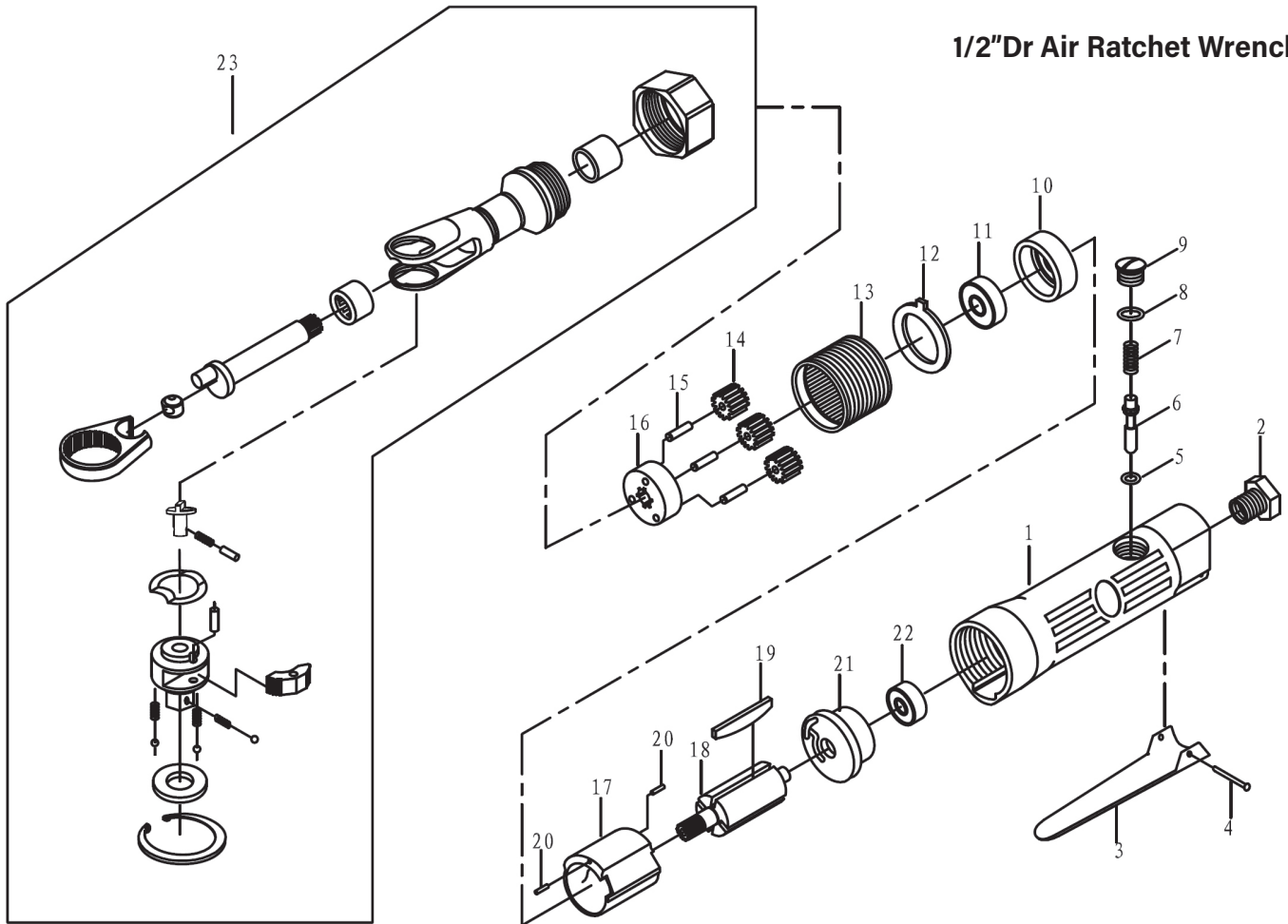
Item	Part No.	Description
23	SA2.V2-23	HAMMER PIN
24	SA2.V2-24	HAMMER DOG
25	SA2.V2-25	DRIVE CAM
26	SA2.V2-26	BEARING (6001ZZ)
27	SA2.V2-27	FRONT END PLATE
28	SA2.V2-28	STRAIGHT PIN (3x10)
29	SA2.V2-29	ROTOR BLADE
30	SA2.V2-30	ROTOR
31	SA2.V2-31	CYLINDER
32	SA2.V2-32	STRAIGHT PIN (3x16)
33	SA2.V2-33	REAR END PLATE
34	SA2.V2-34	REAR GASKET
35	SA2.V2-35	REAL COVER
36	SA2.V2-36	SPRING WASHER
37	SA2.V2-37	SCREW M5x16mm
38	SA2.V2-38	PIN
39	SA2.V2-39	SPRING
40	SA2.V2-40	SCREW M5x6mm
41	SA2.V2-41	PROTECTION SLEEVE (FRONT)
42	SA2.V2-42	PROTECTION SLEEVE (REAR)
43	SA2.V2-43	HANDLE GRIP

NOTE: It is our policy to continually improve products and as such we reserve the right to alter data, specifications and component parts without prior notice.

IMPORTANT: No liability is accepted for incorrect use of product.

WARRANTY: Guarantee is 12 months from purchase date, proof of which will be required for any claim.

1/2"Dr Air Ratchet Wrench



Item	Part No.	Description
1	SA21S.V3-01	HOUSING
2	SA21S.V3-02	AIR INLET CONNECTOR
3	SA21S.V3-03	TRIGGER
4	SA21S.V3-04	RIVET
5	SA21S.V3-05	O-RING
6	SA21S.V3-06	PIN
7	SA21S.V3-07	SPRING
8	SA21S.V3-08	O-RING
9	SA21S.V3-09	NUT
10	SA21S.V3-10	FRONT CYLINDER HEAD
11	SA21S.V3-11	BEARING
12	SA21S.V3-12	WASHER

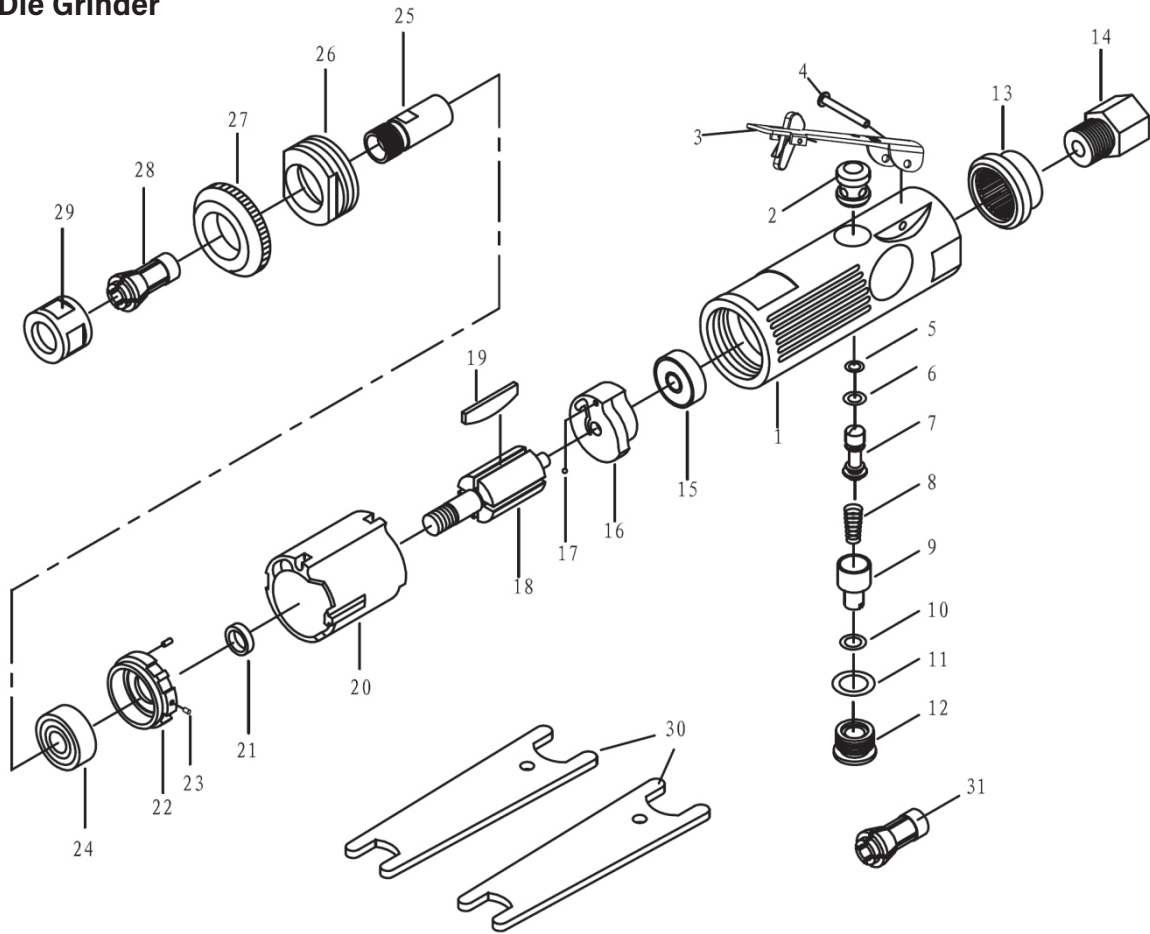
Item	Part No.	Description
13	SA21S.V3-13	GEAR RING
14	SA21S.V3-14	PLANET GEAR
15	SA21S.V3-15	PLANET PIN
16	SA21S.V3-16	PLANET CAGE
17	SA21S.V3-17	CYLINDER
18	SA21S.V3-18	ROTOR
19	SA21S.V3-19	BLADE
20	SA21S.V3-20	STRAIGHT PIN
21	SA21S.V3-21	BACK CYLINDER HEAD
22	SA21S.V3-22	BEARING
23	SA21S.V3-23	RACHET HANDLE COMPONENT

NOTE: It is our policy to continually improve products and as such we reserve the right to alter data, specifications and component parts without prior notice.

IMPORTANT: No liability is accepted for incorrect use of product.

WARRANTY: Guarantee is 12 months from purchase date, proof of which will be required for any claim.

Air Die Grinder



Item	Part No.	Description
1	SA671.V4-01	HOUSING
2	SA671.V4-02	VALVE BUSHING
3	SA671.V4-03	TRIGGER COMPONENT
4	SA671.V4-04	RIVET
5	SA671.V4-05	O-RING
6	SA671.V4-06	O-RING
7	SA671.V4-07	PIN
8	SA671.V4-08	TAPER SPRING
9	SA671.V4-09	ADJUSTING KNOB
10	SA671.V4-10	O-RING
11	SA671.V4-11	O-RING
12	SA671.V4-12	NUT
13	SA671.V4-13	MUFFLE COVER
14	SA671.V4-14	AIR INLET CONNECTOR
15	SA671.V4-15	BEARING
16	SA671.V4-16	BACK CYLINDER HEAD

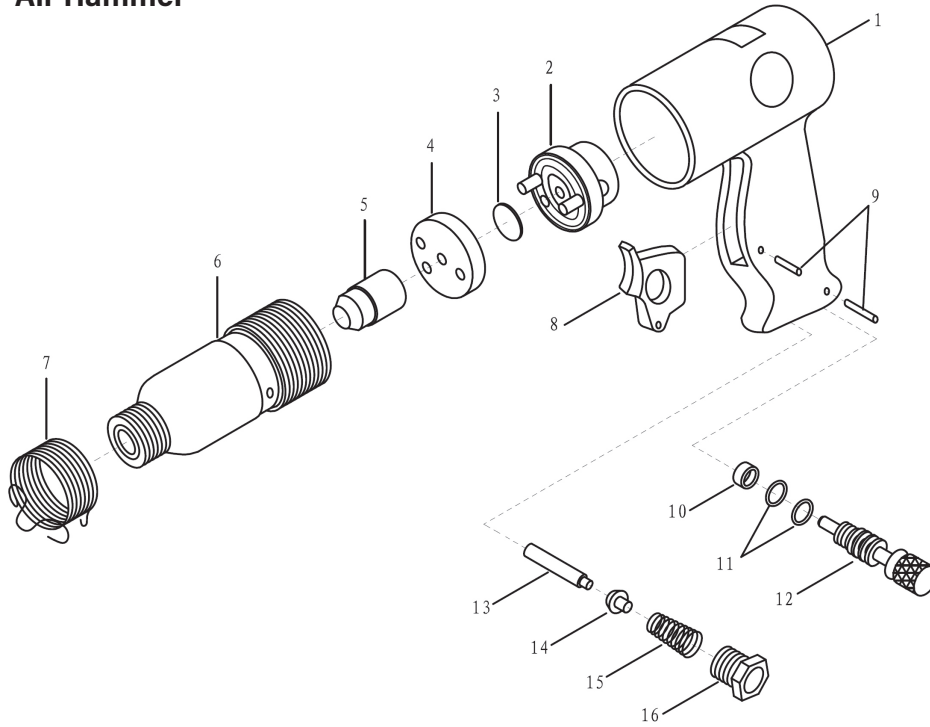
Item	Part No.	Description
17	SA671.V4-17	STEEL BALL
18	SA671.V4-18	ROTOR
19	SA671.V4-19	BLADE
20	SA671.V4-20	CYLINDER
21	SA671.V4-21	WASHER
22	SA671.V4-22	FRONT CYLINDER HEAD
23	SA671.V4-23	STRAIGHT PIN
24	SA671.V4-24	BEARING
25	SA671.V4-25	COLLET HOLDER
26	SA671.V4-26	LOCKING RING
27	SA671.V4-27	LOCK FRONT PLATE
28	GSA674.V2-37	COLLET 1/4"
29	SA671.V4-29	COLLET NUT
30	SA671.V4-30	SPANNER
31	GSA674.V2-41	COLLET 1/8"

NOTE: It is our policy to continually improve products and as such we reserve the right to alter data, specifications and component parts without prior notice.

IMPORTANT: No liability is accepted for incorrect use of product.

WARRANTY: Guarantee is 12 months from purchase date, proof of which will be required for any claim.

Air Hammer



Item	Part No.	Description
1	SA12S.V4-01	HOUSING
2	SA12S.V4-02	SEALING VALVE
3	SA12S.V4-03	VALVE PLATE
4	SA12S.V4-04	SEALING VALVE COVER
5	SA12S.V4-05	PISTON
6	SA12S.V4-06	CYLINDER
7	SA12S.V4-07	SPRING
8	SA12S.V4-08	TRIGGER

Item	Part No.	Description
9	SA12S.V4-09	STRAIGHT PIN
10	SA12S.V4-10	THROTTLE VALVE
11	SA12S.V4-11	O RING
12	SA12S.V4-12	ADJUSTING VALVE POLE
13	SA12S.V4-13	PIN
14	SA12S.V4-14	GAS ADMITTANCE VALVE
15	SA12S.V4-15	TAPER SPRING
16	SA12S.V4-16	AIR INLET CONNECTOR

Item	Part No.	Description
--	SA2004KITV2-A	120mm CHISEL (TAPERED PUNCH)
--	SA2004KITV2-B	120mm CHISEL (FLAT)
--	SA2004KITV2-C	120mm CHISEL (WELD BUSTER)
--	SA2004KITV2-D	ADAPTOR (3/8"-1/2")
--	SA2004KITV2-E	IMPACT SOCKET 1/2"Dr 9mm
--	SA2004KITV2-F	IMPACT SOCKET 1/2"Dr 10mm
--	SA2004KITV2-G	IMPACT SOCKET 1/2"Dr 11mm
--	SA2004KITV2-H	IMPACT SOCKET 1/2"Dr 13mm
--	SA2004KITV2-I	IMPACT SOCKET 1/2"Dr 14mm
--	SA2004KITV2-J	IMPACT SOCKET 1/2"Dr 17mm

Item	Part No.	Description
--	SA2004KITV2-K	IMPACT SOCKET 1/2"Dr 19mm
--	SA2004KITV2-L	IMPACT SOCKET 1/2"Dr 22mm
--	SA2004KITV2-M	IMPACT SOCKET 1/2"Dr 24mm
--	SA2004KITV2-N	IMPACT SOCKET 1/2"Dr 27mm
--	SA2004KITV2-O	EXTENSION BAR 1/2"Dr
--	SA2004KITV2-P	HAND WRENCH
--	SA2004KITV2-Q	MOUNTED GRINDING STONES 6mm
--	SA2004KITV2-R	SPRING RETAINER
--	SA2004KITV2-S	QUICK COUPLER (F)
--	SA2004KITV2-T	NIPPLE SET (5PC)

NOTE: It is our policy to continually improve products and as such we reserve the right to alter data, specifications and component parts without prior notice.

IMPORTANT: No liability is accepted for incorrect use of product.

WARRANTY: Guarantee is 12 months from purchase date, proof of which will be required for any claim.