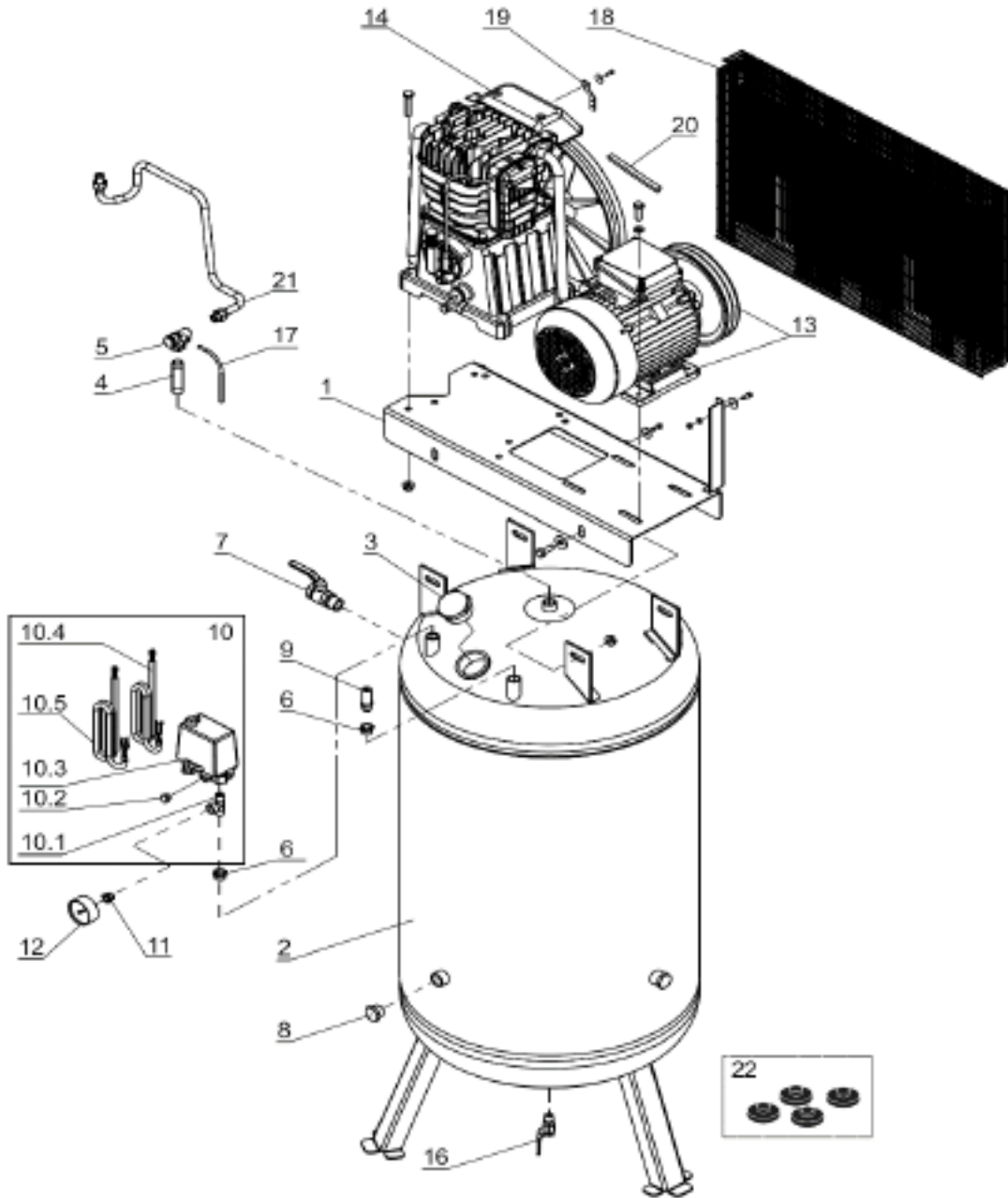




Parts Information:
**Compressor 270ltr Vertical Belt Drive
5.5hp 3ph 2-Stage with Cast Cylinders
Model No: SACV42755B**



NOTE: It is our policy to continually improve products and as such we reserve the right to alter data, specifications and component parts without prior notice.

IMPORTANT: No liability is accepted for incorrect use of product.

WARRANTY: Guarantee is 12 months from purchase date, proof of which will be required for any claim.

Sealey Group, Kempson Way, Suffolk Business Park, Bury St Edmunds, Suffolk. IP32 7AR



01284 757500



01284 703534



sales@sealey.co.uk



www.sealey.co.uk



Parts Information:
**Compressor 270ltr Vertical Belt Drive
5.5hp 3ph 2-Stage with Cast Cylinders
Model No: SACV42755B**

Item	Part No.	Description
1	SAC5011270008	BASE PLATE
2	SAC5151210008	TANK 270ltr (VERTICAL)
3	SAC7090050000	TANK PLUG
4	SAC7232070000	EXTENSION 1/2"
5	SAC7190150000	NON-RETURN VALVE
6	SAC7085020000	FITTING 1/2"-3/8" M/F
7	SAC7130460000	TAP 3/4 "
8	SAC7090020000	PLUG, TANK
9	SAC7192090000	SAFETY VALVE
10	SAC7250500000	PRESSURE SWITCH 16Amp 8-10Bar
10.1	SAC7082690000	JOINT
10.2	SAC7090070000	PLUG 1/4"
10.3	SAC7250500000	PRESSURE SWITCH 16Amp 8-10Bar
10.4	SAC7328690000	POWER CABLE

Item	Part No.	Description
10.5	SAC7328700000	PRESSURE SWITCH CABLE (4x2.5mm)
11	SAC7085190000	FITTING 3/8"-1/4" M/F
12	SAC7110060000	GAUGE 230psi, 60mm OD, REAR FITTING
13	SAC4151350000	MOTOR/PULLEY KIT
14	SAC3021070000	PUMP (AB598)
16	SAC7130150000	TAP 1/2" M/F
17	SAC7230010000	RISLAN HOSE (SOLD PER 1 METER)
18	SAC4170100000	BELT GUARD KIT
19	SAC7456190000	BELT GUARD SUPPORT
20	SAC7370230000	BELT
21	SAC7230640000	DELIVERY TUBE
22	SAC4083470000	RUBBER FOOT KIT
--	SAC4080520000	SCREW KIT (NOT SHOWN)

NOTE: It is our policy to continually improve products and as such we reserve the right to alter data, specifications and component parts without prior notice.

IMPORTANT: No liability is accepted for incorrect use of product.

WARRANTY: Guarantee is 12 months from purchase date, proof of which will be required for any claim.

Sealey Group, Kempson Way, Suffolk Business Park, Bury St Edmunds, Suffolk. IP32 7AR



01284 757500



01284 703534

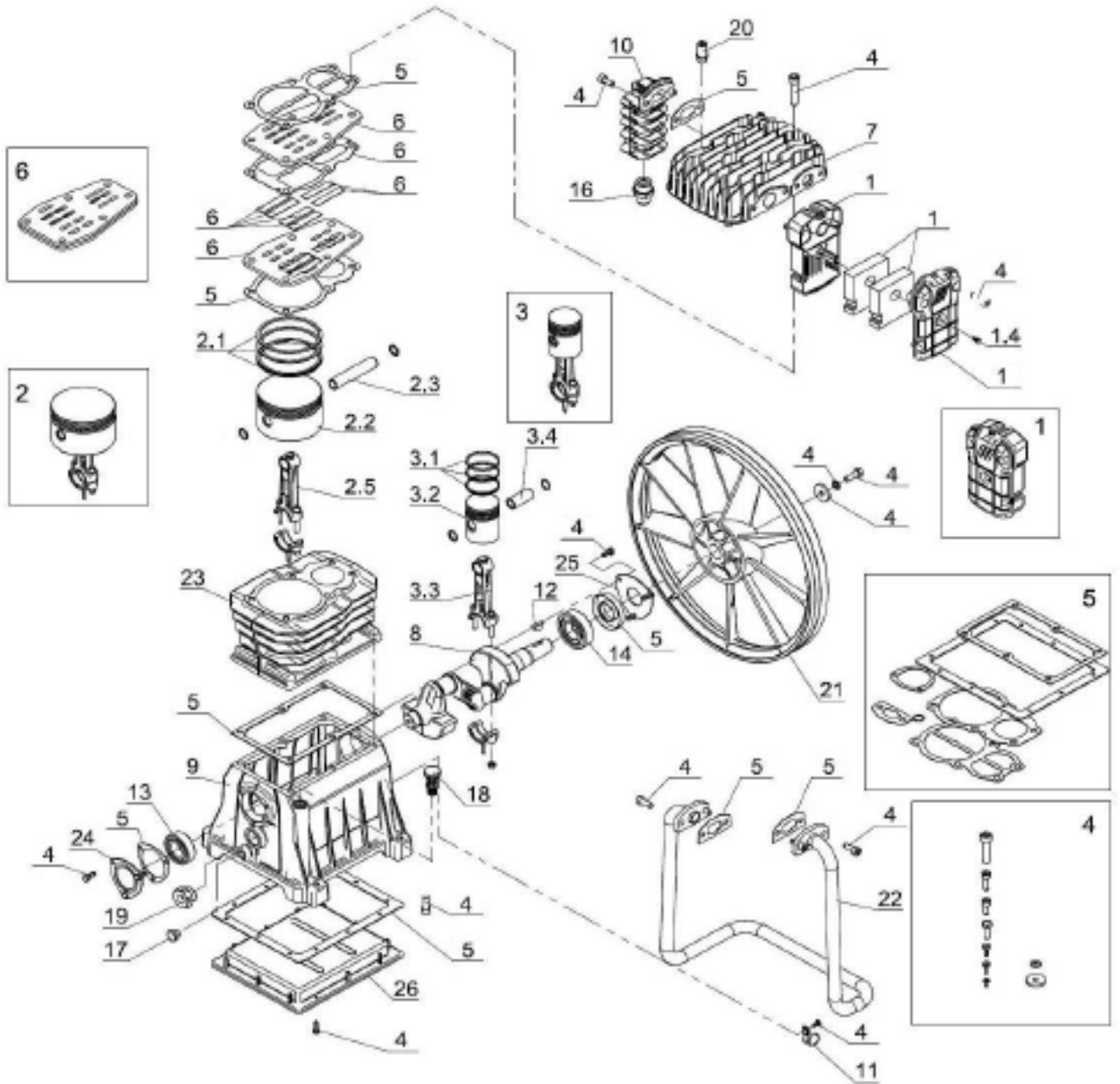


sales@sealey.co.uk



www.sealey.co.uk

Parts Information:
Compressor 270ltr Vertical Belt Drive
5.5hp 3ph 2-Stage with Cast Cylinders
Model No: SACV42755B



NOTE: It is our policy to continually improve products and as such we reserve the right to alter data, specifications and component parts without prior notice.

IMPORTANT: No liability is accepted for incorrect use of product.

WARRANTY: Guarantee is 12 months from purchase date, proof of which will be required for any claim.



Parts Information:
**Compressor 270ltr Vertical Belt Drive
5.5hp 3ph 2-Stage with Cast Cylinders
Model No: SACV42755B**

Item	Part No.	Description
1	SAC4080290000	INTAKE FILTER KIT
1.4	SAC7210690000	FILTER COVER
2	SAC4080850000	LP CON ROD/PISTON KIT
2.1	SAC4080840000	LP PISTON RING KIT
2.2	SAC7220340000	PISTON
2.3	SAC7050270000	PISTON PIN
2.5	SAC5050580008	CON ROD
3	SAC4080860000	HP CON ROD/PISTON KIT
3.1	SAC4080080000	PISTON RING SET (HIGH)
3.2	SAC7220120000	PISTON (HIGH)
3.3	SAC5050580008	CON ROD
3.4	SAC7050130000	PISTON PIN
4	SAC4080920000	SCREW KIT
5	SAC4082280000	GASKET KIT
6	SAC4231230000	VALVE PLATE (SQUARED ENDS - COPPER GASKET)
7	SAC5030610008	HEAD
8	SAC5041490008	CRANKSHAFT

Item	Part No.	Description
9	SAC5071020008	CRANKCASE
10	SAC5130110008	AFTERCOOLER
11	SAC7043050000	CLAMP
12	SAC7051520000	KEY
13	B/6205	BEARING 6205
14	B/6206	BEARING 6206
16	SAC7081190000	JOINT
17	SAC7090090000	PLUG 1/4"
18	SAC9700001377	VENT PLUG
19	SAC7180060000	OIL SIGHT GLASS
20	SAC7192350000	SAFETY VALVE
21	SAC7201050000	FLYWHEEL
22	SAC7232220000	AFTERCOOLER
23	SAC7575460000	CYLINDER
24	SAC7650070000	FRONT COVER
25	SAC7650080000	REAR COVER
26	SAC7650090000	CRANKCASE BASE

NOTE: It is our policy to continually improve products and as such we reserve the right to alter data, specifications and component parts without prior notice.

IMPORTANT: No liability is accepted for incorrect use of product.

WARRANTY: Guarantee is 12 months from purchase date, proof of which will be required for any claim.

Sealey Group, Kempson Way, Suffolk Business Park, Bury St Edmunds, Suffolk. IP32 7AR



01284 757500



01284 703534



sales@sealey.co.uk



www.sealey.co.uk