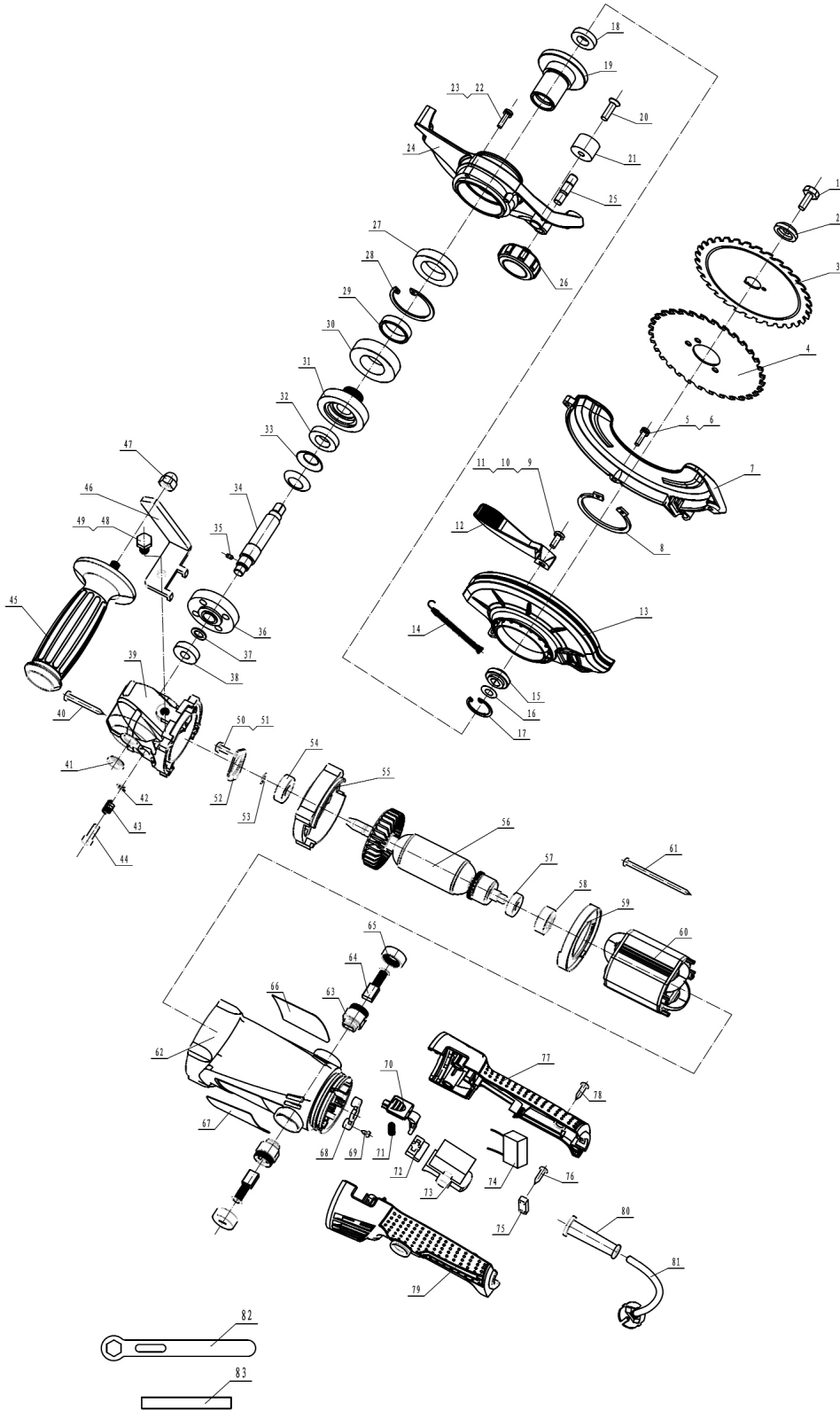




Parts Information:
Cut-Off Saw Twin Blade Ø125mm - 920W
230V
Model No: SCT125



NOTE: It is our policy to continually improve products and as such we reserve the right to alter data, specifications and component parts without prior notice.

IMPORTANT: No liability is accepted for incorrect use of product.

WARRANTY: Guarantee is 12 months from purchase date, proof of which will be required for any claim.

Sealey Group, Kempson Way, Suffolk Business Park, Bury St Edmunds, Suffolk. IP32 7AR



01284 757500



01284 703534



sales@sealey.co.uk



www.sealey.co.uk



Parts Information:
**Cut-Off Saw Twin Blade Ø125mm - 920W
230V
Model No: SCT125**

Item	Part No.	Description
1	SCT125.01	BOLT (M6x18)
2	SCT125.02	OUTER FLANGE
3+4	SCT125B	TUNGSTEN TWIN BLADE SET 125mm
5	SCT125.05	SCREW M4X16
6	SWM4.SB	SPRING WASHER M4 BLACK (SINGLE)
7	SCT125.07	BLADE GUARD (FIXED)
8	SCT125.08	RETAINING RING
9	SCT125.09	SCREW M5x14
10	SWM5.SB	SPRING WASHER M5 BLACK (SINGLE)
11	SCT125.11	WASHER (5mm)
12	SCT125.12	CONNECTING ROD
13	SCT125.13	MOVABLE GUARD
14	SCT125.14	RETURN SPRING
15	SCT125.15	INNER FLANGE
16	FWM4.SB	FLAT WASHER M4 BLACK (SINGLE)
17	SCT125.17	CIRCLIP
18	SCT125.18	BEARING (B/6901ZZ)
19	SCT125.19	SHAFT SLEEVE
20	SCT125.20	SCREW M6x24
21	SCT125.21	LIMIT STOP
22	SCT125.22	SCREW M4x22
23	SWM4.SB	SPRING WASHER M4 BLACK (SINGLE)
24	SCT125.24	FIXED GUARD
25	SCT125.25	ROLLER SPINDLE
26	SCT125.26	LUBRICATING ROLLER
27	SCT125.27	BEARING (6905)
28	SCT125.28	CIRCLIP
29	SCT125.29	DISTANCE SEAL
30	SCT125.30	BEARING (B/6005)
31	SCT125.31	GEAR
32	SCT125.32	BEARING (B/6902ZZ)
33	SCT125.33	OVAL RING
34	SCT125.34	OUTPUT SHAFT
35	SCT125.35	PIN 3x6
36	SCT125.36	LOWER GEAR
37	FWM8.SB	FLAT WASHER M8 BLACK (SINGLE)
38	SCT125.38	BEARING (B/609Z)
39	SCT125.39	GEAR CASE
40	SCT125.40	SCREW ST3.9x35
41	SCT125.41	GEAR CASE COVER
42	SCT125.42	RETAINING RING
43	SCT125.43	SPRING

Item	Part No.	Description
44	SCT125.44	LOCK PIN
45	SCT125.45	SIDE HANDLE
46	SCT125.46	SIDE HANDLE SUPPORT
47	SN8.SD	STEEL NUT M8 DOMED (SINGLE)
48	SCB816.S	SOCKET CAP SCREW ZINC M8X16
49	SWM8.SB	SPRING WASHER M8 BLACK(SINGLE)
50	MSP514.SB	MACHINE SCREW PAN HEAD PHILLIPS M5x14m
51	SWM5.SB	SPRING WASHER M5 BLACK (SINGLE)
52	SCT125.52	BEARING COVER
53	SCT125.53	CIRCLIP FOR SHAFT
54	SCT125.54	BEARING (B/6200Z)
55	SCT125.55	ROTOR COVER
56	SCT125.56	ROTOR 230V
57	SCT125.57	BEARING (B/608)
58	SCT125.58	BEARING COVER
59	SCT125.59	BAFFLE
60	SCT125.60	STATOR 230V
61	SCT125.61	SCREW ST3.9x74
62	SCT125.62	HOUSING
63	SCT125.63	CARBON BRUSH HOLDER
64	SCT125.64	CARBON BRUSH
65	SCT125.65	CARBON BRUSH COVER
66	SCT125.66	LABEL
67	SCT125.67	LABEL
68	SCT125.68	CABLE GRIP
69	SCT125.69	SCREW ST2.9x8
70	SCT125.70	ROTARY BUTTON
71	SCT125.71	ROTARY BUTTON SPRING
72	SCT125.72	SLIDING BLOCK
73	SCT125.73	SWITCH
74	SCT125.74	CAPACITOR
75	SCT125.75	CABLE CLAMP
76	MSP416.SB	MACHINE SCREW PAN HEAD PHILLIPS M4x16mm
77	SCT125.77	HANDLE, RIGHT
78	MSP416.SB	MACHINE SCREW PAN HEAD PHILLIPS M4x16mm
79	SCT125.79	HANDLE, LEFT
80	SCT125.80	CABLE SHEATH
81	SCT125.81	POWER CORD & PLUG
82	SCT125.82	WRENCH
83	SCT125L	LUBRICATING STICKS Pack of 10

NOTE: It is our policy to continually improve products and as such we reserve the right to alter data, specifications and component parts without prior notice.

IMPORTANT: No liability is accepted for incorrect use of product.

WARRANTY: Guarantee is 12 months from purchase date, proof of which will be required for any claim.

Sealey Group, Kempson Way, Suffolk Business Park, Bury St Edmunds, Suffolk. IP32 7AR



01284 757500



01284 703534



sales@sealey.co.uk



www.sealey.co.uk