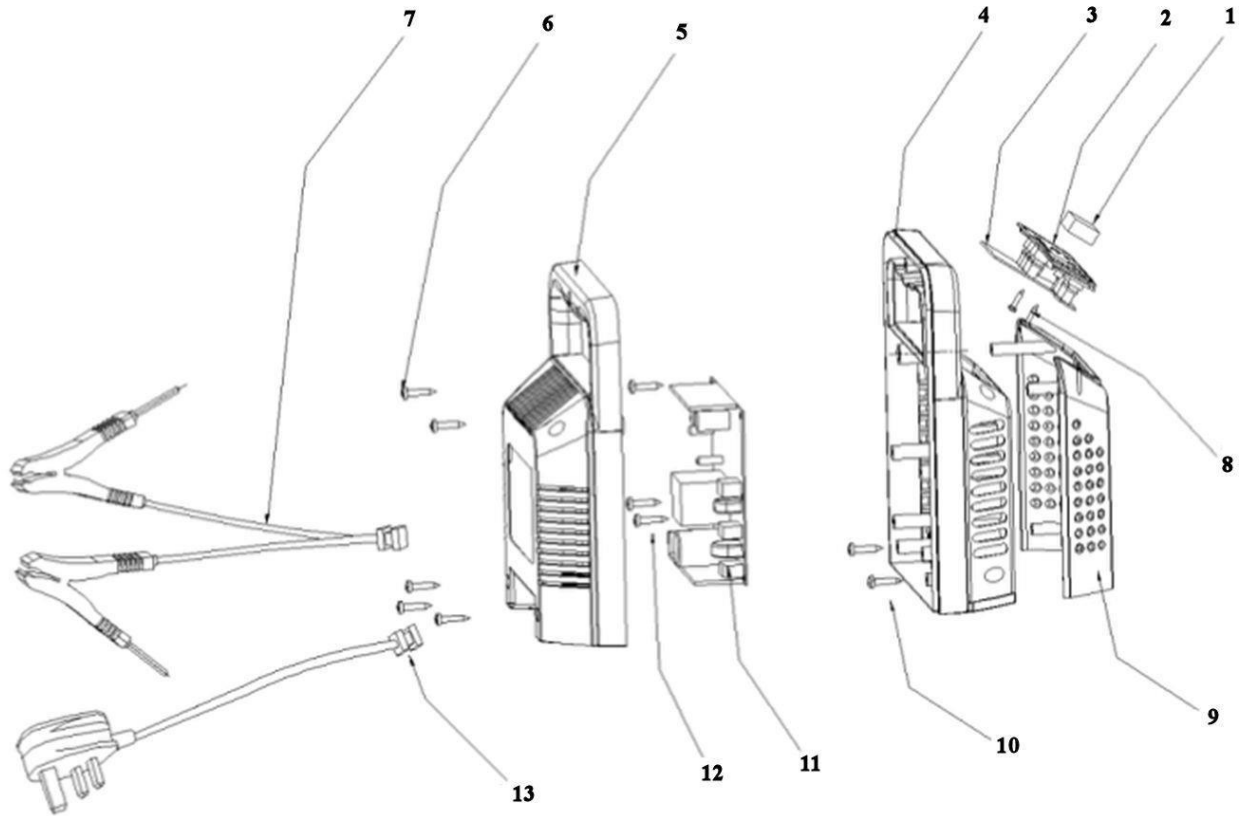




Parts Information:
**Battery Charger 6/12V 7.5Amp 230V
 Automatic
 Model No: SDC75**



Item	Part No.	Description
1	SDC75.01	SWITCH
2	SDC75.02	VOLTMETER
3	SDC75.03	LED INDICATOR COVER
4	SDC75.04	FRONT PANEL
5	SDC75.05	BACK PANEL
6	SDC75.06	SCREW
7	SDC75.07	POS & NEG CLAMP

Item	Part No.	Description
8	SDC75.08	SCREW
9	SDC75.09	FRONT COVER (RED)
10	SDC75.10	SCREW
11	SDC75.11	PCB
12	SDC75.12	SCREW
13	SDC75.13	POWER CORD

NOTE: It is our policy to continually improve products and as such we reserve the right to alter data, specifications and component parts without prior notice.

IMPORTANT: No liability is accepted for incorrect use of product.

WARRANTY: Guarantee is 12 months from purchase date, proof of which will be required for any claim.

Sealey Group, Kempson Way, Suffolk Business Park, Bury St Edmunds, Suffolk. IP32 7AR



01284 757500



01284 703534



sales@sealey.co.uk



www.sealey.co.uk