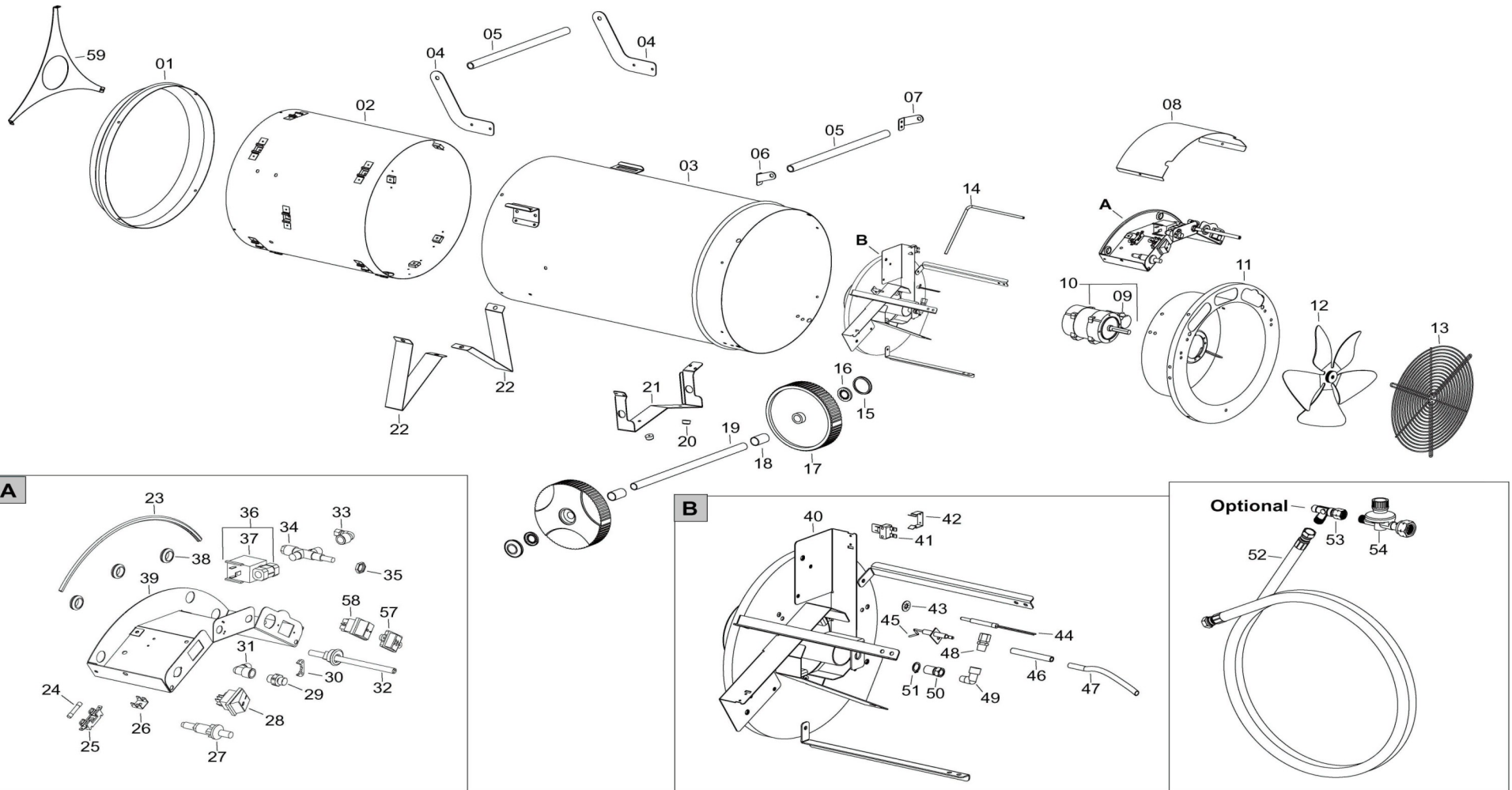


09278 - Professional Fireball 3711DV Propane Heater

Exploded Diagram & Parts List



<i>Ref. No.</i>	<i>Description</i>	<i>SIP Part No.</i>	<i>Ref. No.</i>	<i>Description</i>	<i>SIP Part No.</i>
1.	Outlet cone	PW09-10140	30.	Fitting lock bracket	PW09-10070
2.	Combustion chamber	PW09-10141	31.	Fitting	PW09-10163
3.	Cover	PW09-10142	32.	Power cord	PW09-10072
4.	Handle bracket	PW09-10143	33.	Elbow	PW09-10125
5.	Handle	PW09-10144	34.	Thermal gas valve	PW09-10117
6.	Handle bracket right	PW09-10145	35.	Nut	PW09-10012
7.	Handle bracket left	PW09-10146	36.	Solenoid valve	PW09-10118
8.	Electrics cover	PW09-10147	37.	Solenoid coil	PW09-10119
9.	Capacitor	PW09-10148	38.	Cable protection	PW09-10164
10.	Motor	PW09-10149	39.	Electrics housing	PW09-10165
11.	Motor housing	PW09-10150	40.	Combustion head	PW09-10166
12.	Fan	PW09-10151	41.	Safety thermostat	PW09-10026
13.	Inlet grill	PW09-10152	42.	Thermocouple holder	PW09-10025
14.	Gas supply pipe	PW09-10153	43.	Thermocouple clip	PW09-10024
15.	Wheel cover	PW09-10154	44.	Thermocouple	PW09-10167
16.	Wheel clip	PW09-10155	45.	Ignition electrode	PW09-10019
17.	Wheel	PW09-10156	46.	Silicone pipe	PW09-10168
18.	Wheel spacer	PW09-10157	47.	H.T. Cable	PW09-10076
19.	Wheel axle	PW09-10158	48.	Fitting	PW09-10169
20.	Rubber foot	PW09-10159	49.	Elbow	PW09-10170
21.	Rear leg support	PW09-10160	50.	Nozzle	PW09-10171
22.	Front leg support	PW09-10161	51.	Circlip	PW09-10022
23.	Gasket	PW09-10162	52.	Gas hose	PW09-10079
24.	Fuse	PW09-10067	53.	Excess flow valve	PW09-10080
25.	Fuse holder	PW09-10066	54.	Pressure regulator	PW09-10081
26.	Terminal block	PW09-10068	57.	Voltage switch	PW09-10082
27.	Piezo igniter	PW09-10074	58.	Voltage switch cover	PW09-10083
28.	Switch	PW09-10071	59.	Outlet grill	PW09-10172
29.	Brass fitting	PW09-10121			