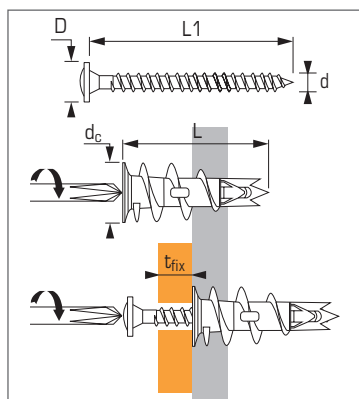


Self drilling anchor for plasterboard & aerated concrete



Technical data

Anchor size	Max. thick. of part to be fixed (mm)	Screw threaded diameter (mm)	Screw head diameter (mm)	Total screw length (mm)	Anchor head diameter (mm)	Total anchor length (mm)	Code
	t_{fix}	d	D	$L1$	d_c	L	
DRIVA TF5	5	4,5	8,2	25	13	31	059370
DRIVA TP12	12	4,5	9,2	35	13	31	059360
DRIVA TF27	27	4,5	8,8	50	13	31	059380
DRIVA C7	M7X150	4,5	-	37	13	31	059390
DRIVA SV (w/o screw)	-	4,5	-	-	13	31	060083
DRILL TP12	12	3,0	8,6	25	9,5	30	061630
MINI DRIVA	-	-	-	-	7,5	26	059430

Nota : Predrilling with HSS drill bit is required:

DRIVA: Ø10 mm in laminated plasterboard or gypsum block / Ø6 mm in aerated concrete

DRILL: Ø5 mm in laminated plasterboard, gypsum block and aerated concrete

APPLICATION

DRIVA

- Bathroom accessories, wall heaters,
- Electrical switch boxes, trunking, conduit,
- Curtain track.

DRILL

- Fixing in all soft materials
- Small electrical accessories

Mini DRIVA

- for fixing trunking to plasterboard

MATERIAL

DRIVA & Mini DRIVA

- **Body :** zamak 3 NFA 55.010
- **Screw :** special screw supplied, head type PZ2

DRILL

- **Body :** reinforced polyamid 6.6
- **Screw :** special screw supplied, head type PH1

Recommended loads (N_{rec} , V_{rec}) and ultimate loads ($N_{Ru,m}$, $V_{Ru,m}$) in kN

TENSILE

Anchor size	DRIVA TP/TF/C7	DRILL TP12	Mini DRIVA
Aerated concrete			
N_{rec}	0,06	0,046	-
$N_{Ru,m}$	0,3	0,23	-
Plasterboard BA13			
N_{rec}	0,06	0,044	0,03
$N_{Ru,m}$	0,3	0,22	0,16

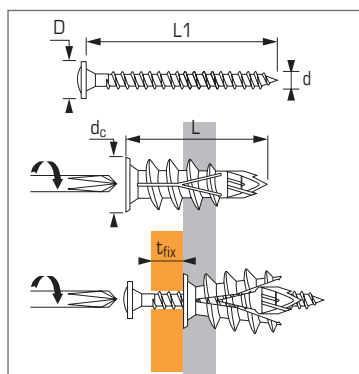
SHEAR

Anchor size	DRIVA TP/TF/C7	DRILL TP12
Aerated concrete		
V_{rec}	0,18	0,15
$V_{Ru,m}$	0,9	0,75
Plasterboard BA13		
V_{rec}	0,18	0,16
$V_{Ru,m}$	0,9	0,80

DRIVA CLICK



Self drilling anchor for plasterboard & aerated concrete



Technical data

Anchor size	Max. thick. of part to be fixed (mm)	Screw threaded diameter (mm)	Screw head diameter (mm)	Total screw length (mm)	Anchor head diameter (mm)	Total anchor length (mm)	Code
	t_{fix}	d	D	$L1$	d_c	L	
TP10	10	4,5	9,0	45	13	38	565806

Nota : Predrilling with HSS drill bit is required in aerated concrete : Ø8 mm

Recommended loads (N_{rec}) and ultimate loads ($N_{Ru,m}$) in kN

TENSILE

Anchor size	TP10
Aerated concrete	
N_{rec}	0,095
$N_{Ru,m}$	0,49
Plasterboard BA13	
N_{rec}	0,09
$N_{Ru,m}$	0,45
Plasterboard BA10	
N_{rec}	0,06
$N_{Ru,m}$	0,29

SHEAR

Anchor size	TP10
Aerated concrete	
V_{rec}	0,25
$V_{Ru,m}$	1,40
Plasterboard BA13	
V_{rec}	0,24
$V_{Ru,m}$	1,10
Plasterboard BA10	
V_{rec}	0,15
$V_{Ru,m}$	0,75

APPLICATION

- Fittings
- Bathroom accessories
- Wall heaters
- Electrical switch boxes
- Trunking
- Conduit

MATERIAL

- **Body :** reinforced polyamid
- **Screw :** flat head screw supplied