

The Sumpy is a fully submersible, automatic, sump pump for small water drainage applications. An integral float switch senses the rise and fall in water level and controls the pump automatically. Body and strainer produced in technopolymer with stainless steel shaft, fitted with a lipseal and mechanical seal.

## Applications

- Domestic use
- Cellars and basements
- Final effluent
- Nuisance water

## Features

- Robust construction
- Technopolymer impeller
- Mechanical seal
- Lipseal
- Solids handling from 5mm x 4mm to 40mm x 25mm
- 0.1-0.68kW output
- 25-50mm discharge
- Submersion depth: max. 5m
- Liquid temperature up to 35°C
- IP68 motor

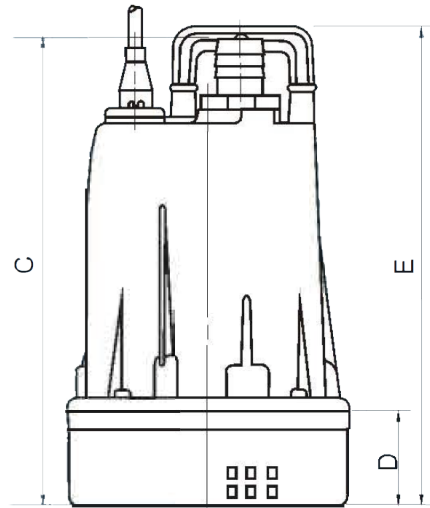
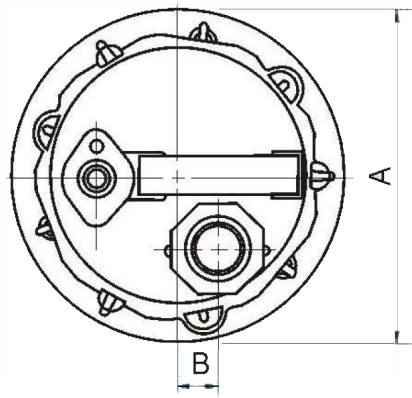


PUMP TYPE	CURVE	OUTLET "/mm	CABLE LENGTH m	SOLIDS HANDLING mm	kW	WEIGHT kg	CODE
SUMPY 30 110V	A	1"/25mm	5	5 x 4	0.1	3.9	PW/SUMPY30-2
SUMPY 30 230V	A	1"/25mm	5	5 x 4	0.1	3.9	PW/SUMPY30
SUMPY 75 110V	B	1¼"/32mm	5	12 x 5	0.2	5.2	PW/SUMPY75-2
SUMPY 75 230V	B	1¼"/32mm	5	12 x 5	0.2	5.2	PW/SUMPY75
SUMPY 100 110V	C	1½"/40mm	5	12 x 5	0.37	6.5	PW/SUMPY100-2
SUMPY 100 230V	C	1½"/40mm	5	12 x 5	0.37	6.5	PW/SUMPY100
SUMPY 150 110V	D	2"/50mm	5	10 x 5	0.68	6.8	PW/SUMPY150-2
SUMPY 150 230V	D	2"/50mm	5	10 x 5	0.68	6.8	PW/SUMPY150
SUMPY 30 VORTEX 110V	E	1¼"/32mm	5	40 x 15	0.2	5	PW/SUMPY30V-2
SUMPY 30 VORTEX 230V	E	1¼"/32mm	5	40 x 15	0.2	5	PW/SUMPY30V
SUMPY 75 VORTEX 110V	F	1½"/40mm	5	40 x 15	0.37	6	PW/SUMPY75V-2
SUMPY 75 VORTEX 230 V	F	1½"/40mm	5	40 x 15	0.37	6	PW/SUMPY75V
SUMPY 150 VORTEX 110V	G	2"/50mm	5	40 x 25	0.68	7	PW/SUMPY150V-2
SUMPY 150 VORTEX 230V	G	2"/50mm	5	40 x 25	0.68	7	PW/SUMPY150V

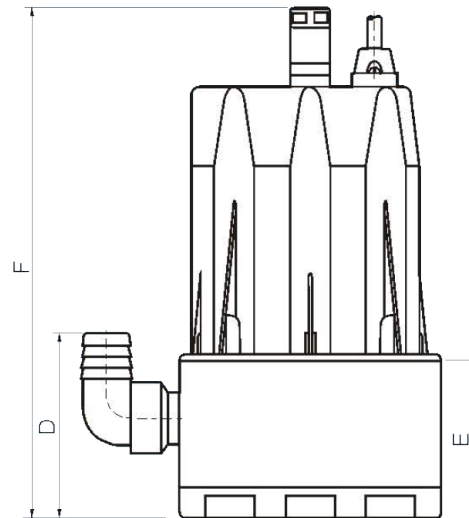
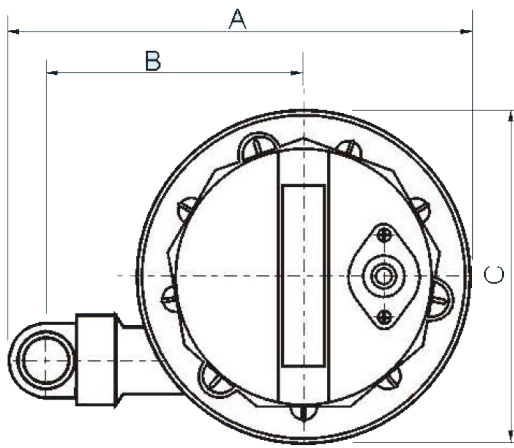
T-T Pumps Ltd., Woore, Cheshire, CW3 9RU  
 Tel: 01630 647200 Fax: 01630 642100  
 www.ttpumps.com Email: response@ttpumps.com

© T-T PUMPS LTD 2016. DATA127:27/05/2016

## DIMENSIONS



Type	A	B	C	D	E
	mm	mm	mm	mm	mm
Sumpy 30 110V	144	33	240	50	245
Sumpy 30 230V	144	33	240	50	245
Sumpy 75 110V	159	43	291	58	273
Sumpy 75 230V	159	43	291	58	273
Sumpy 100 110V	159	43	325	86	300
Sumpy 100 230V	159	43	325	86	300
Sumpy 150 110V	159	43	348	108	320
Sumpy 150 230V	159	43	348	108	320



Type	A	B	C	D	E	F
	mm	mm	mm	mm	mm	mm
Sumpy 30 Vortex 110V	222	129	159	115	79	293
Sumpy 30 Vortex 230V	222	129	159	115	79	293
Sumpy 75 Vortex 110V	228	129	159	117	106	320
Sumpy 75 Vortex 230V	228	129	159	117	106	320
Sumpy 150 Vortex 110V	241	129	159	137	125	339
Sumpy 150 Vortex 230V	241	129	159	137	125	339

T-T Pumps Ltd., Woore, Cheshire, CW3 9RU  
 Tel: 01630 647200 Fax: 01630 642100  
 www.ttpumps.com Email: response@ttpumps.com

© T-T PUMPS LTD 2016. DATA127:27/05/2016



**T-T PUMPS**

**T-T Pumping Stations**

**T-T Controls**

**T-T Service**

**T-T Agricultural & Environmental**

**T-T Flow Valves**