



MAIN FEATURES

Excellent hydraulic pump unit for low maintenance

Heavy duty steel construction with epoxy powder coated finish to give greater anti-corrosion resistance

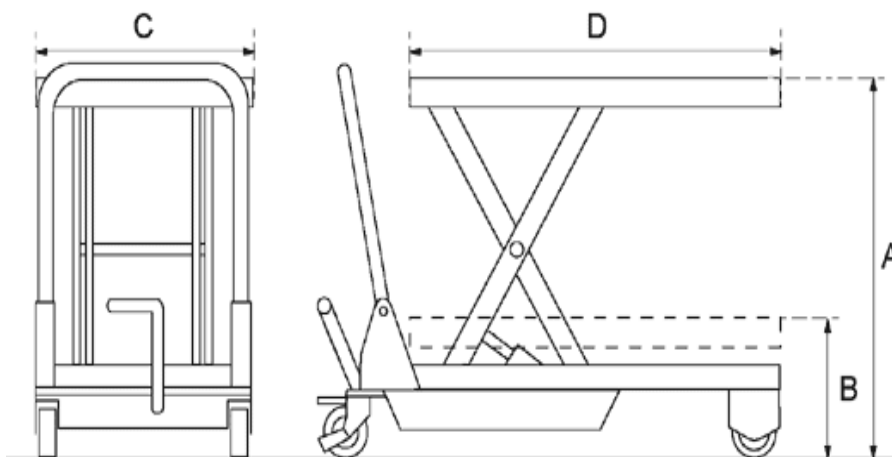
Heavy duty lift table with 800kg Capacity

Nylon wheels fitted as standard with two braked swivel wheels.

Ideal for lifting and transporting a variety of goods

Conforms to EN1570 : 1998+A2

Other table top sizes available to order



MODEL		TAD80
Capacity	kg	800
Min table height	B	mm 490
Max table height	A	mm 1400
Table dimensions	C,D	mm 1130x520
Caster wheel	mm	150
Foot pedal cycles to max height		95
Weight of unit	kg	165
Height of handle from ground	mm	1275